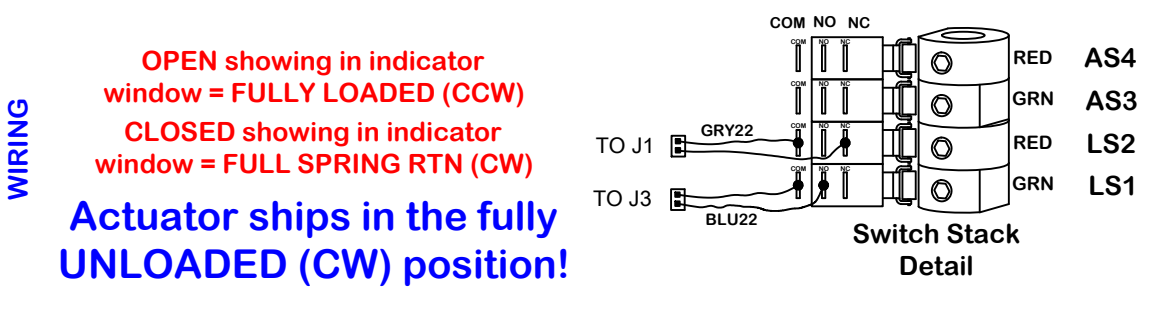
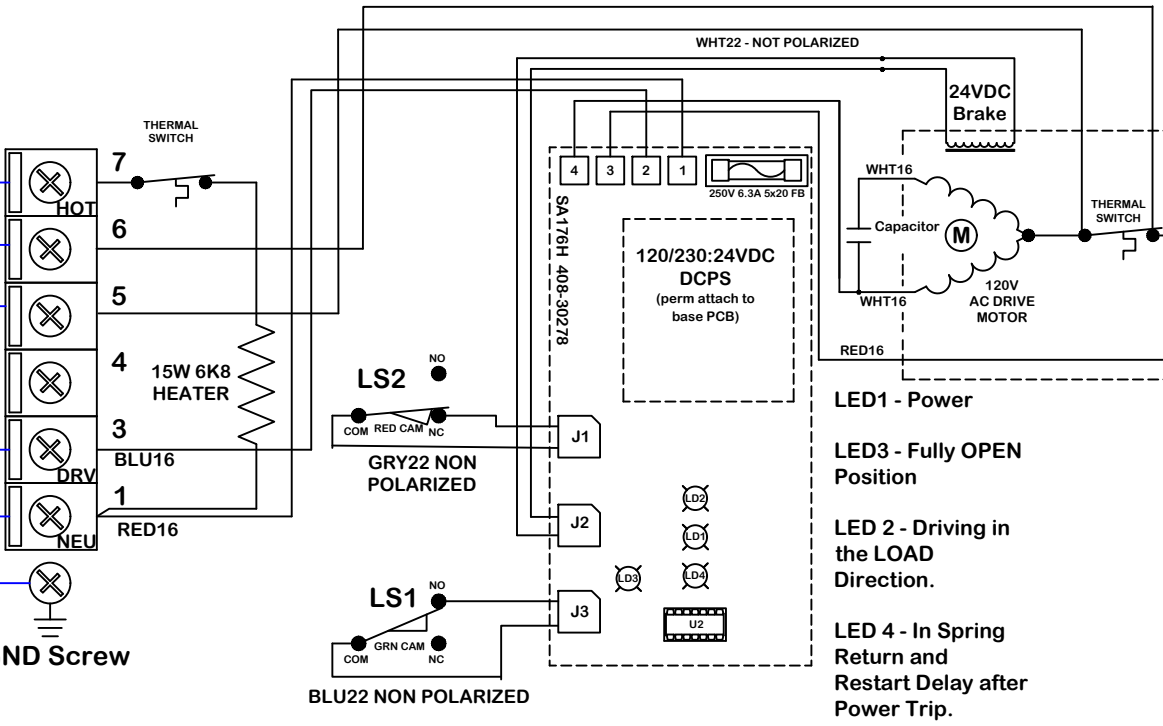
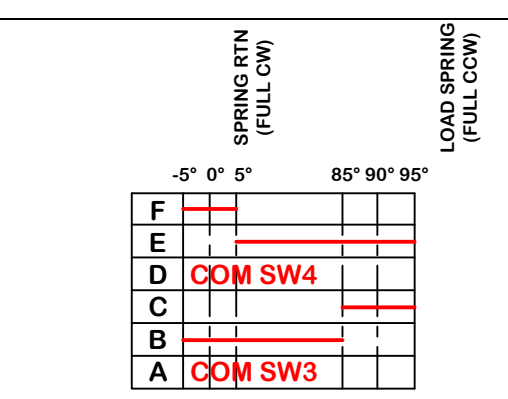
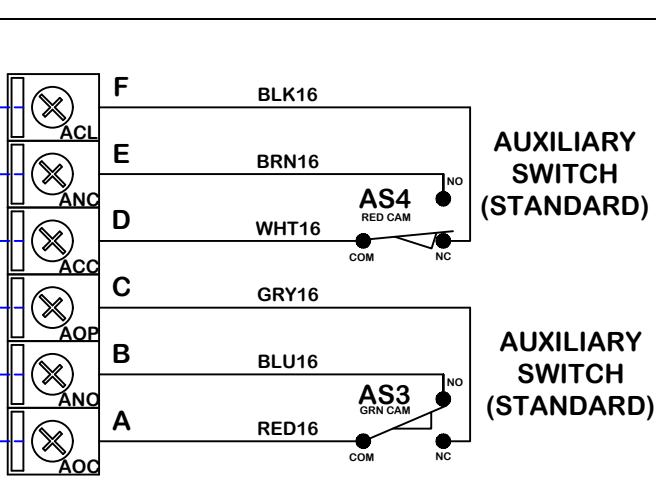
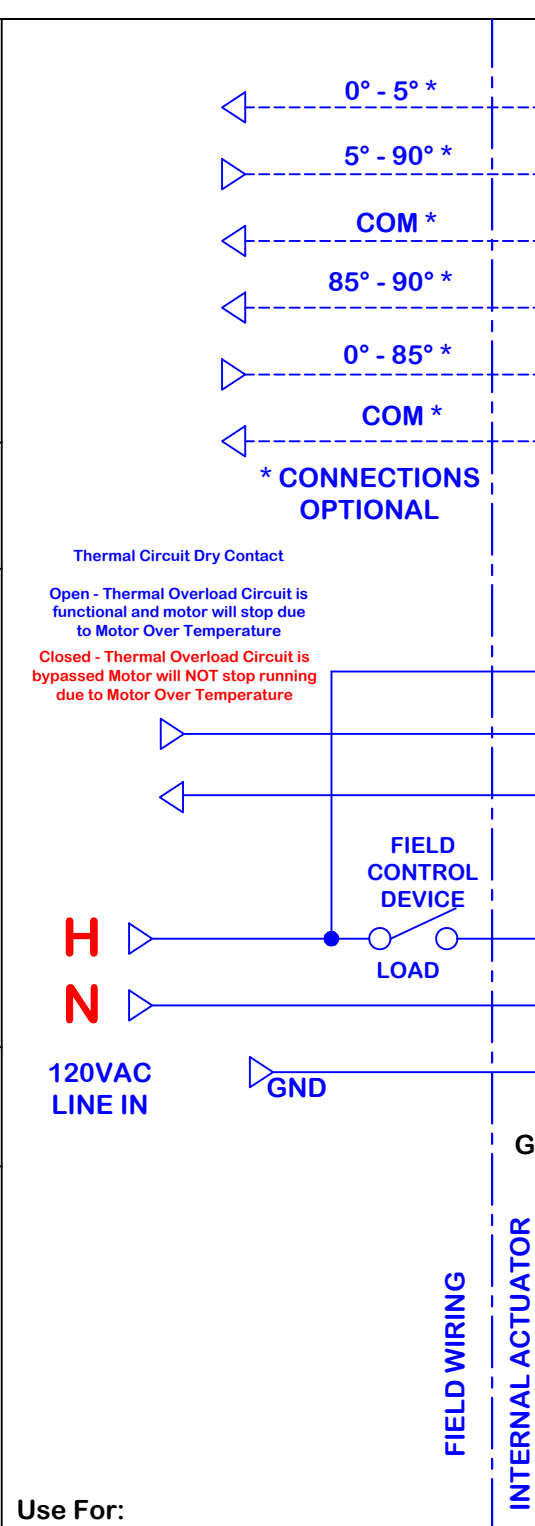


rev	change		date		revision		name		
A	01.08.17	C4A02	WIRE	color	DUG				
B	03.19.19	Added Thermal Switch option to header			DUG				
naming									
dwn by:		Date		material no		ind		Wiring Diagram	
BJW		10.20.2014							
scale		NONE							
Promotion		On/Off wiring diagram for 120VAC PD(O) CW Spring Return with internal motor thermo-switch bypass out (BTC).		WD-850-D4A02 B					
3/22/2019 3:10 PM									
REV		B							



Use For:

PD/PDO-CW-1202S4-BTC

This document is the property of ProMation Engineering, Inc. Distribution of this document without the written consent of the owner is strictly forbidden. Failure to comply will incur a liability for damages.