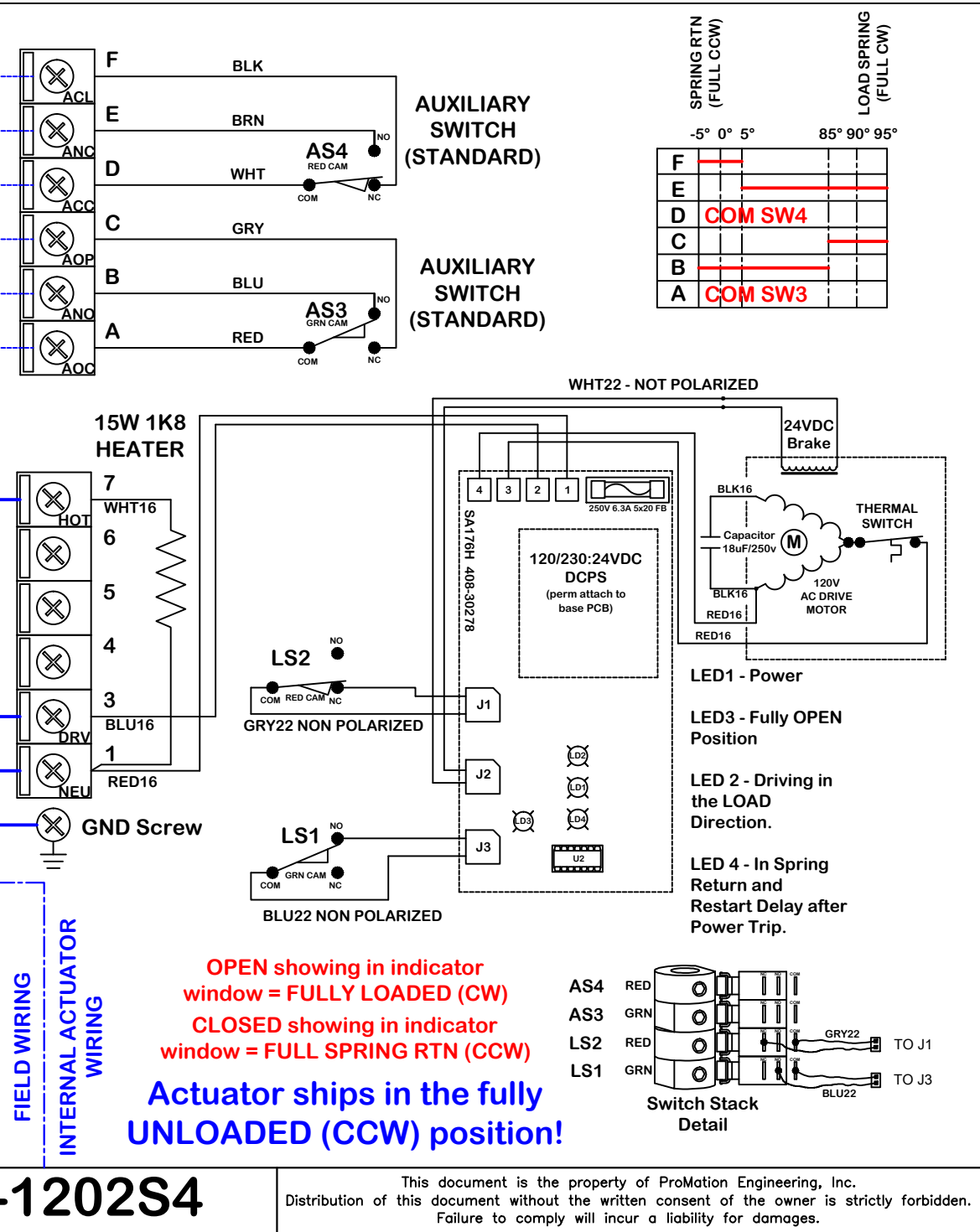
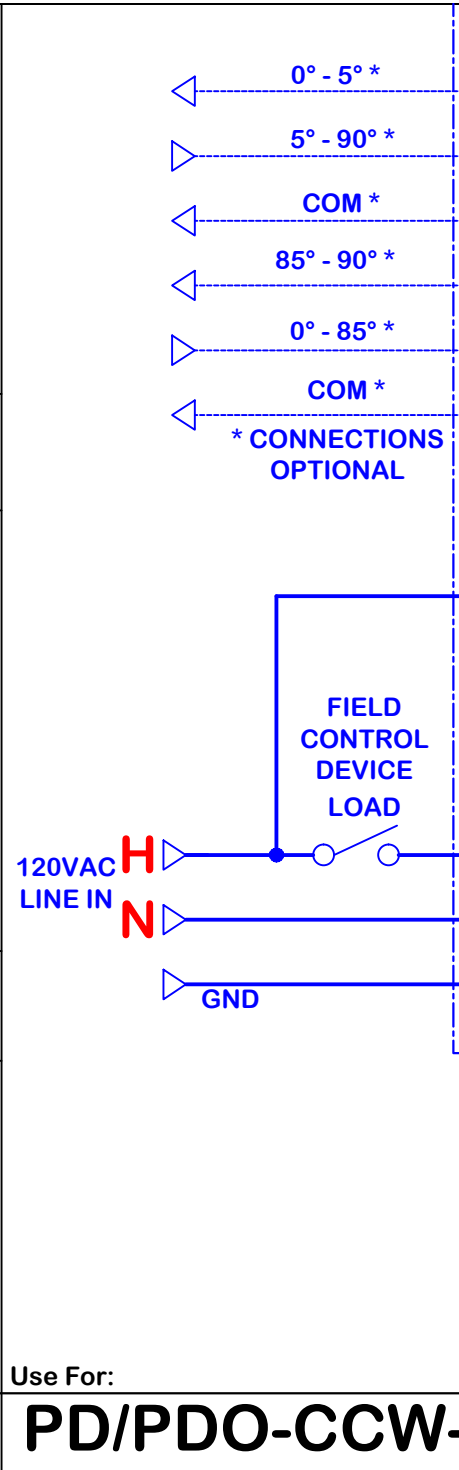


rev change date	revision	name	date	time
f 08.23.12	Formmting edits	KHL	4/1/2016 11:54 AM	WD-850-D4B01.dwg
g 10.23.14	Added signa board and cam to board stuff	KHL		
h 8.03.2015	Changed motor wire colors	KHL		
i 03.29.16	Fixed No. NC for LS1, LS2, limit solenoids	TJM		
j				
k				
l				
m				
naming		dwn by:	Date	material no
		BJW	4.19.2012	
		ind		
		Wiring Diagram		
		material		
Promation On/Off wiring diagram for 120vac PD(O) Series CCW Spring Return Actuators.		WD-850-D4B01		
REV				
1				



Use For: **PD/PDO-CCW-1202S4**

This document is the property of ProMation Engineering, Inc. Distribution of this document without the written consent of the owner is strictly forbidden. Failure to comply will incur a liability for damages.

ProMation Engineering, Inc.
 16138 Flight Path Drive
 Brooksville, FL 34604
 Ph:352-544-8436 Fx(352-544-8439)