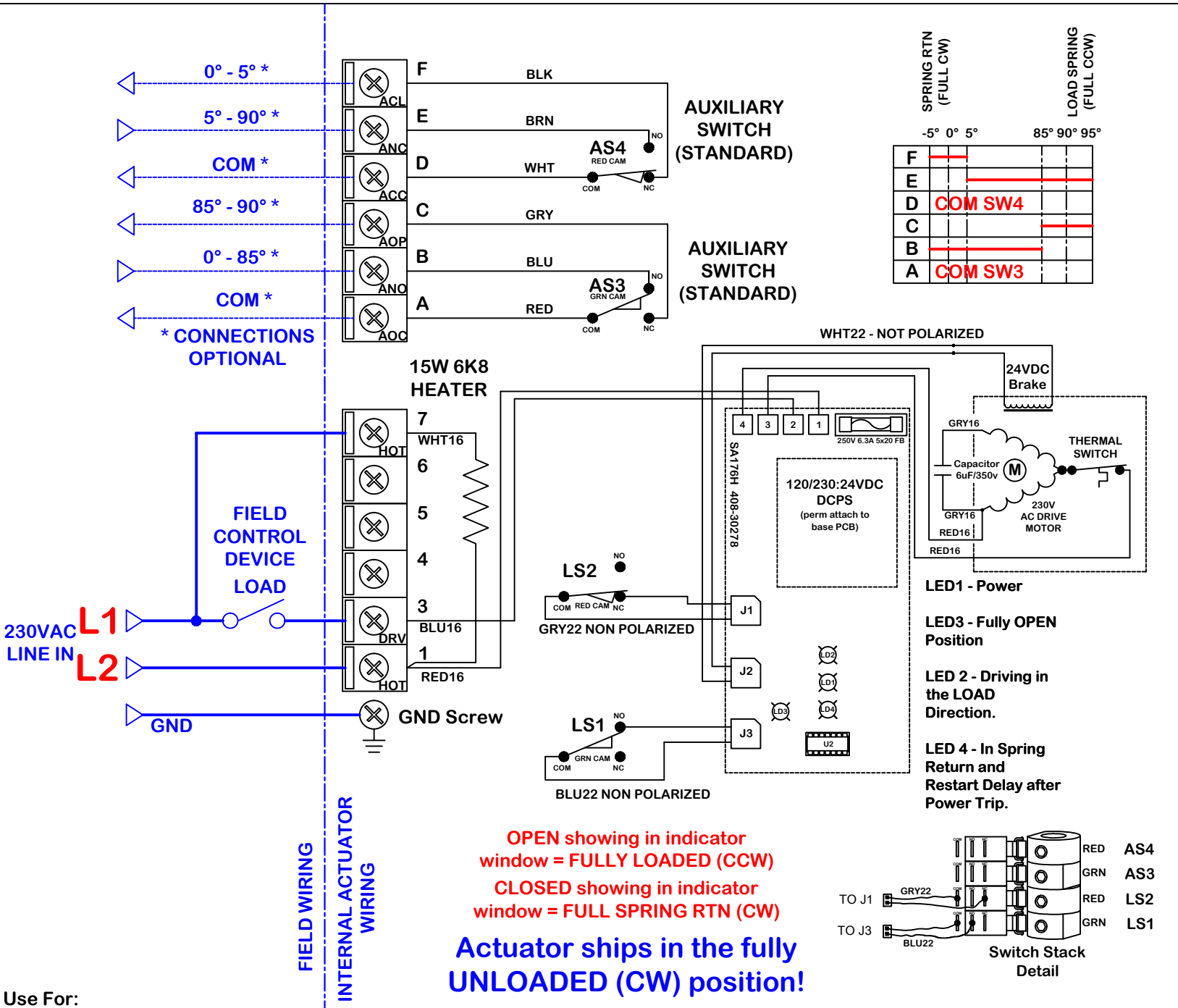


rev	change date	revision	name	4/29/2016 3:18 PM	WD-850-D5A01.dwg
f	08.23.12	Formulating edits	KHL		
g	10.23.14	Added stoppage board and cam to board default	KHL		
h	04.17.2015	Removed Stoppage Board from SWOFF units	KHL		
i	03.29.16	Fixed WHT, NC for LS1, LS2, Input colors	TJM		
j					
k					
l					
m					
naming			material no		
dwn by:			Date		
BJW			4.19.2012		
scale			NONE		
none			ind		
none			Wiring Diagram		
none			material		
none			REV		



Use For:

PD/PDO-CW-2302S4

ProMation Engineering, Inc.
16138 Flight Path Drive
Brooksville, FL 34604
Ph:352-544-8436 Fx(352-544-8439)

This document is the property of ProMation Engineering, Inc.
Distribution of this document without the written consent of the owner is strictly forbidden.
Failure to comply will incur a liability for damages.