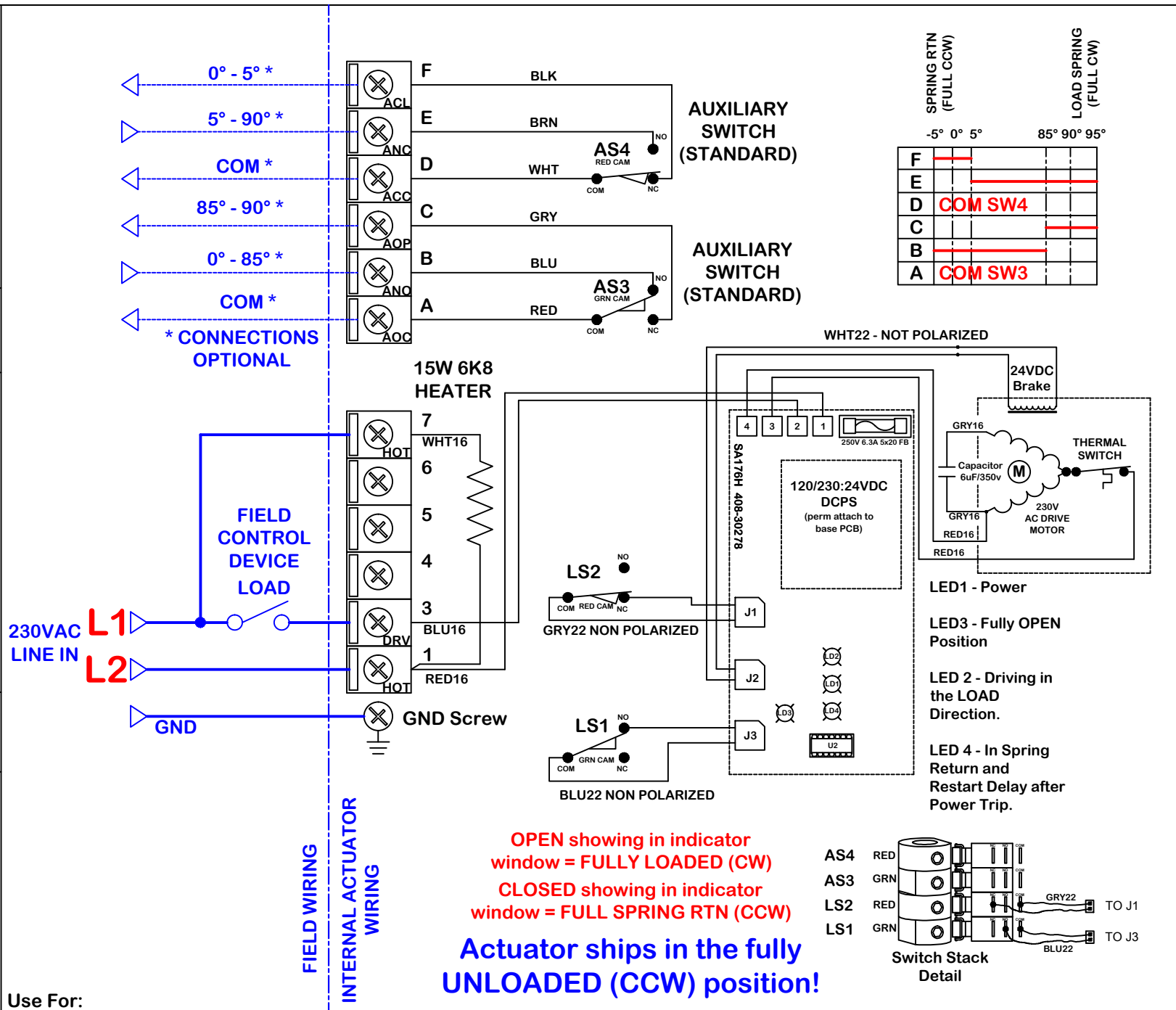


rev	change	date	revision	name	4/1/2016 12:06 PM	WD-850-D5B01.dwg
m	.	.		naming		
l				dwn by:	BJW	
k				Date	4.19.2012	
j				scale	NONE	
i	03.29.16			material no		
h	04.17.2015			ind		
g	10.23.14			Wiring Diagram		
f	08.23.12			material		
Added original board and cam to board detail Corrected motor wire colors Formatting edits						
Revised Original Board from On/Off unit Fixed No. for LS1, LS2, Input wires						
KHL KHL TJM						
Promotion On/Off wiring diagram for 230vac PD(O) Series CCW Spring Return Actuators.						
REV 1						



Use For:
PD/PDO-CCW-2302S4

This document is the property of ProMation Engineering, Inc. Distribution of this document without the written consent of the owner is strictly forbidden. Failure to comply will incur a liability for damages.

ProMation Engineering, Inc.
 16138 Flight Path Drive
 Brooksville, FL 34604
 Ph:352-544-8436 Fx(352-544-8439)