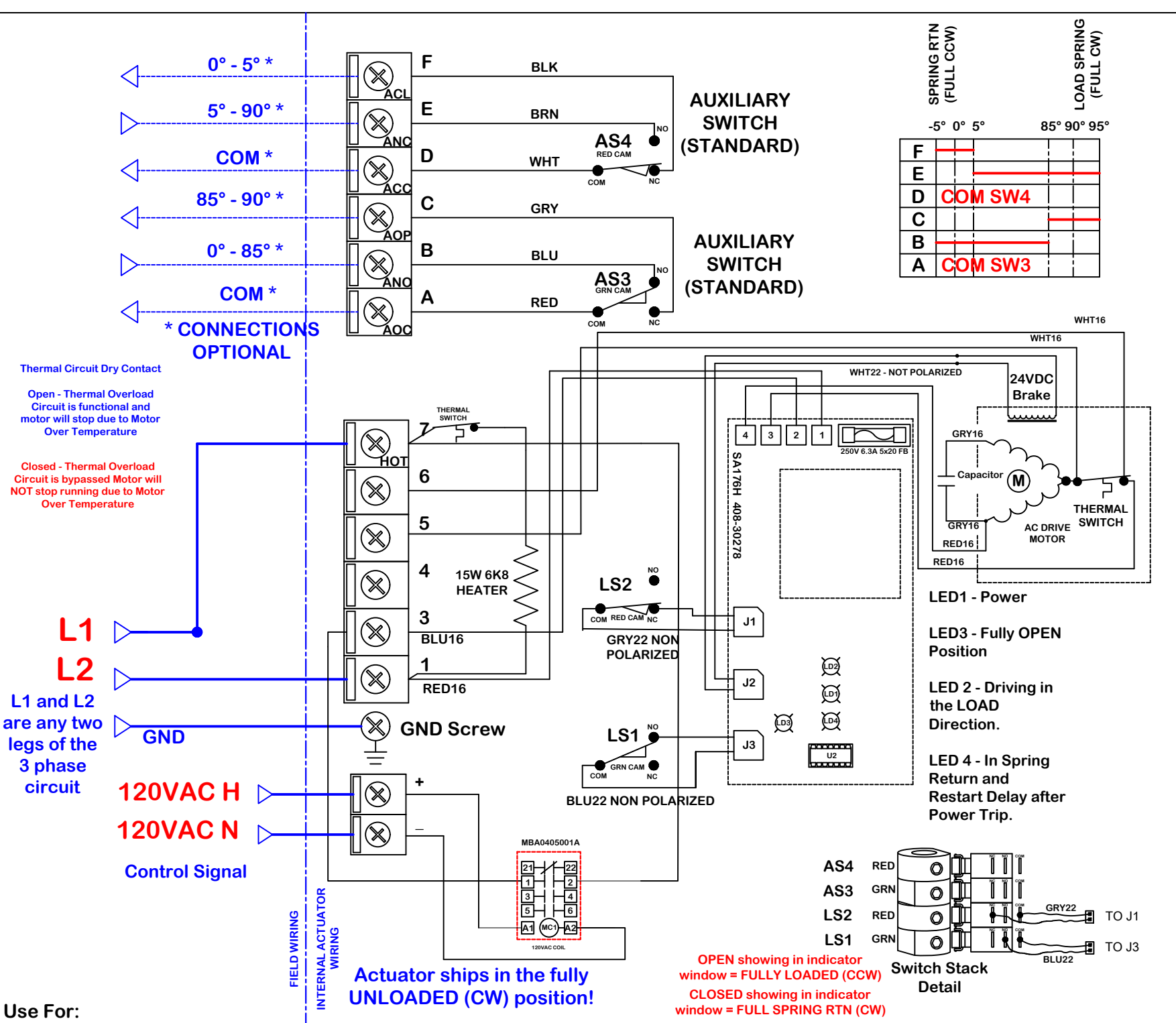


rev change	A	05.05.20	D4802 A Add RO 120VDC For 3 phase	revision		name	DJC
name	naming						
dwn by:	Date						
BWJ	4.19.2012						
scale	NONE						
material no	ind						
Wiring Diagram	material						
REV	A						
WD-850-D8B42 A							
On/Off wiring diagram for 120VAC Pd(O) CCW Spring Return with internal motor bypass out (BTC) and relay to operate.							
WD-850-D8B42 A.dwg							



Use For: **PD/PDO-CCW-1202S4-BTC -RO120**

This document is the property of ProMation Engineering, Inc. Distribution of this document without the written consent of the owner is strictly forbidden. Failure to comply will incur a liability for damages.