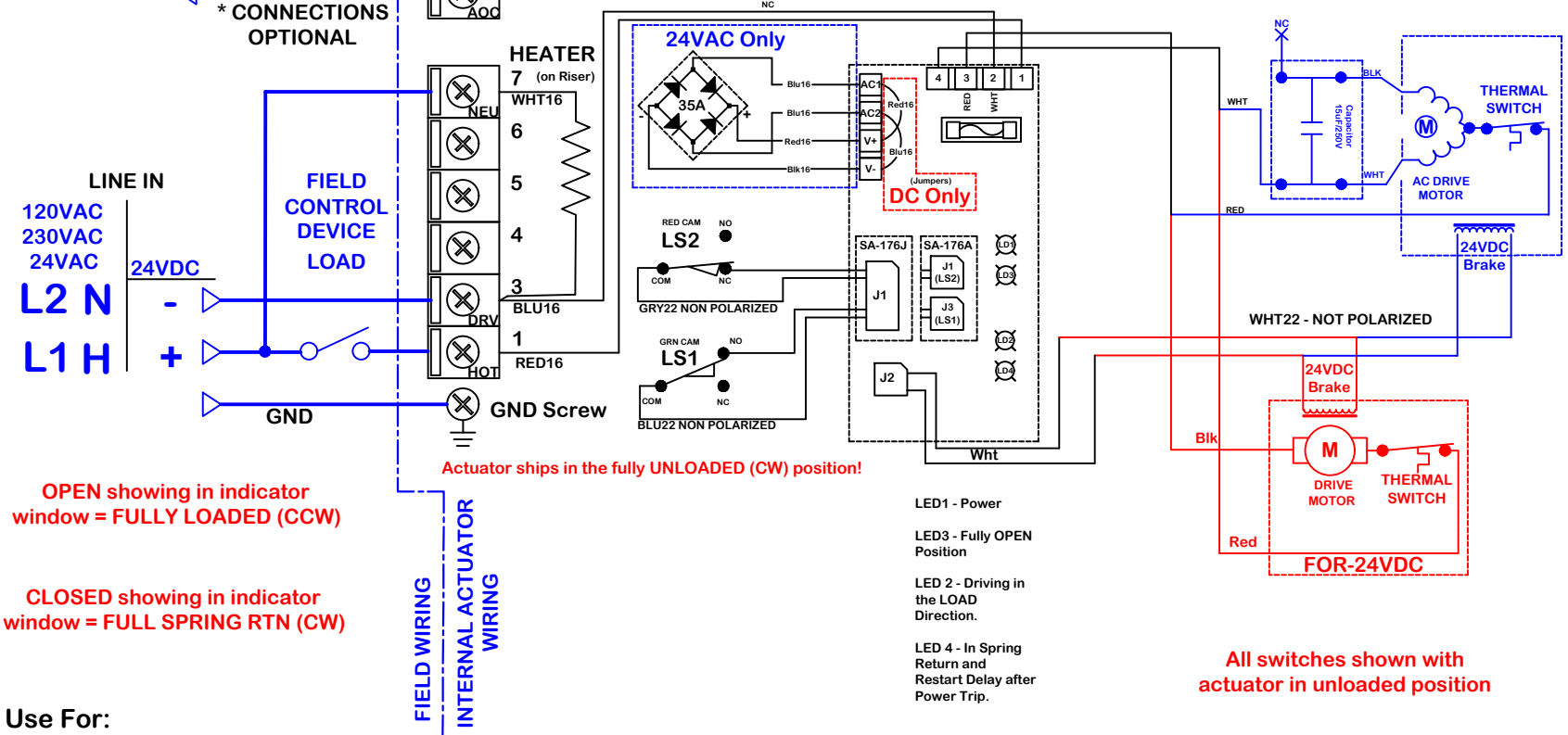
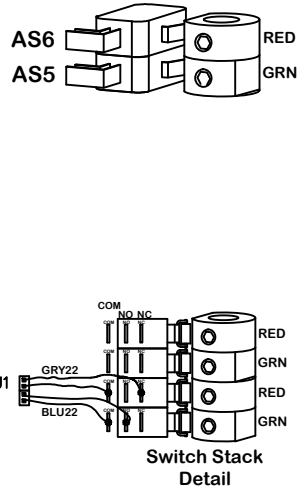
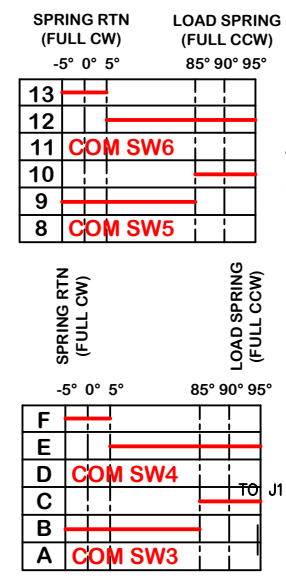
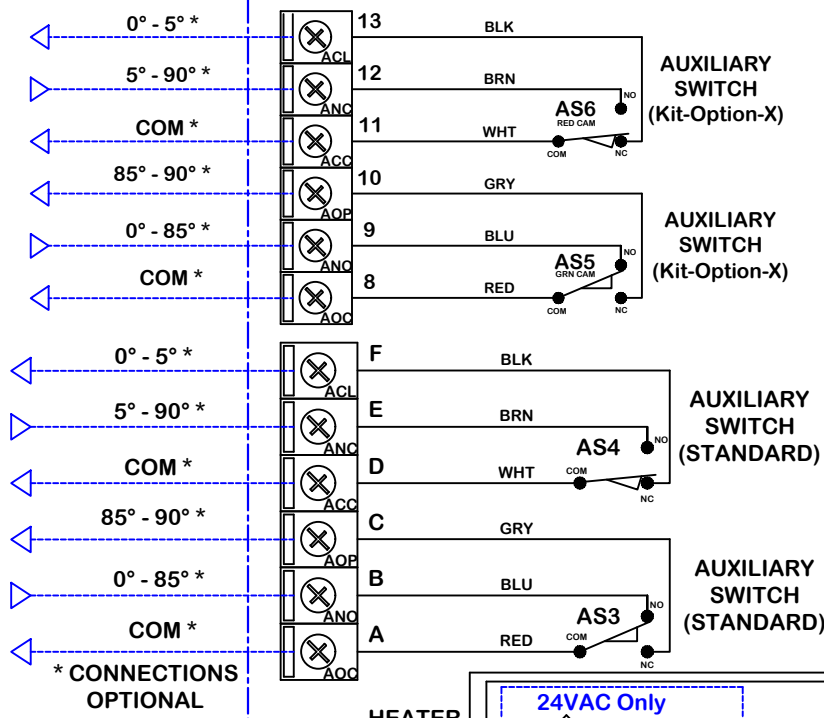


| | | | | | | | | | | | | | | | | |
|---|----------------|----------|----------|--|---------|--|------|--|-------------|--|-----|--|----------------|--|----------|---------|
| rev change date | f | 05.14.24 | g | | h | | i | | j | | k | | l | | m | |
| revision | | | | | | | | | | | | | | | | namring |
| name | | ZMC | | | | | | | | | | | | | | |
| scale | NONE | | Date | | dwn by: | | Date | | material no | | ind | | Wiring Diagram | | material | |
| name | ProMation | | 12.16.20 | | PMR | | | | | | | | | | | |
| On/off wiring diagram for 120/230VAC PA-PD(O) Series CCW Spring Return Actuators. | WD-850-E0B00 B | | REV | | B | | | | | | | | | | | |



Use For:
PA/PD(O)-CCW-HV2S4

This document is the property of ProMation Engineering, Inc. Distribution of this document without the written consent of the owner is strictly forbidden. Failure to comply will incur a liability for damages.