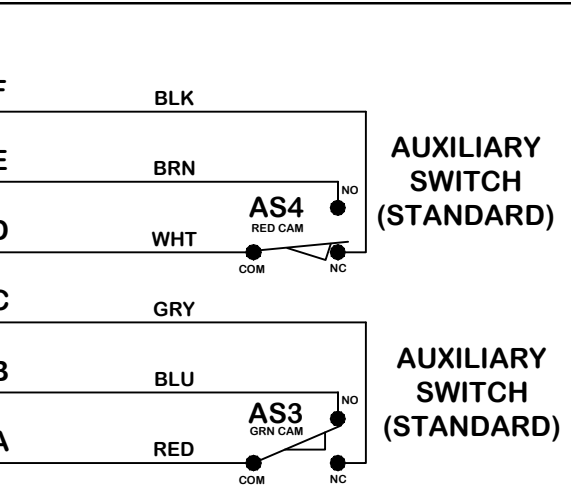
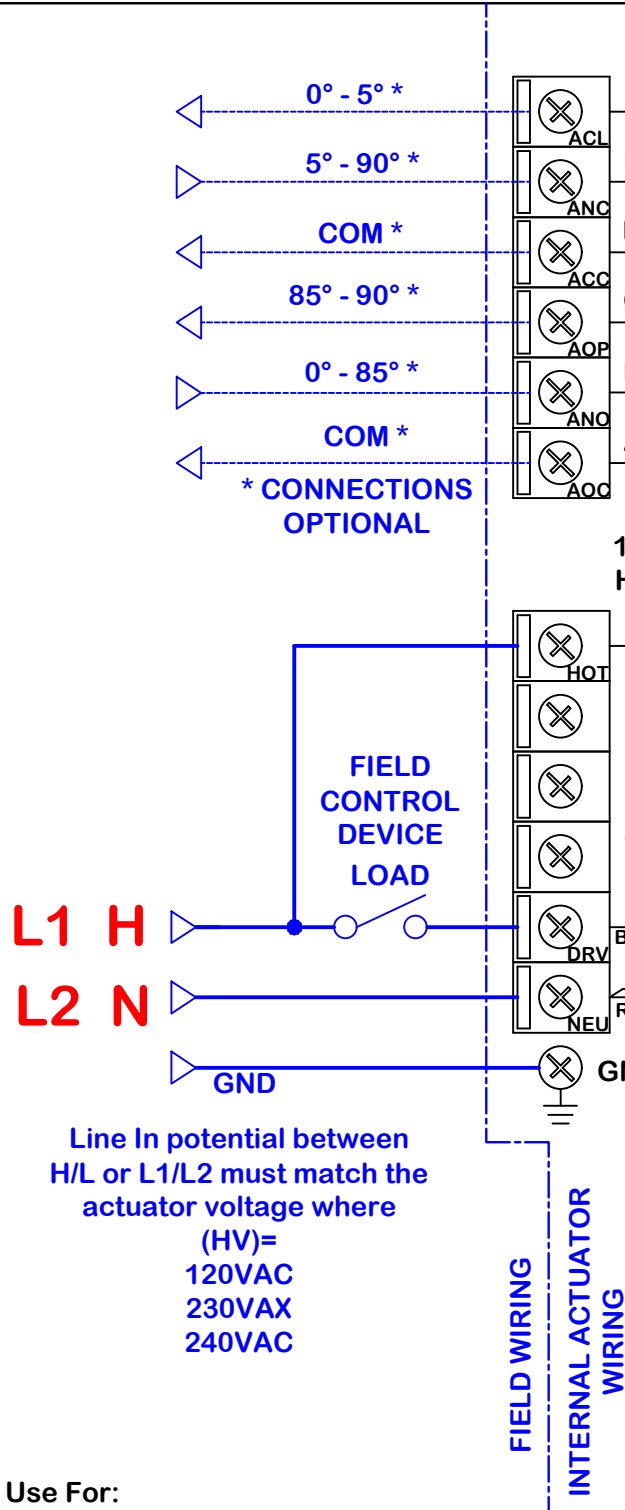
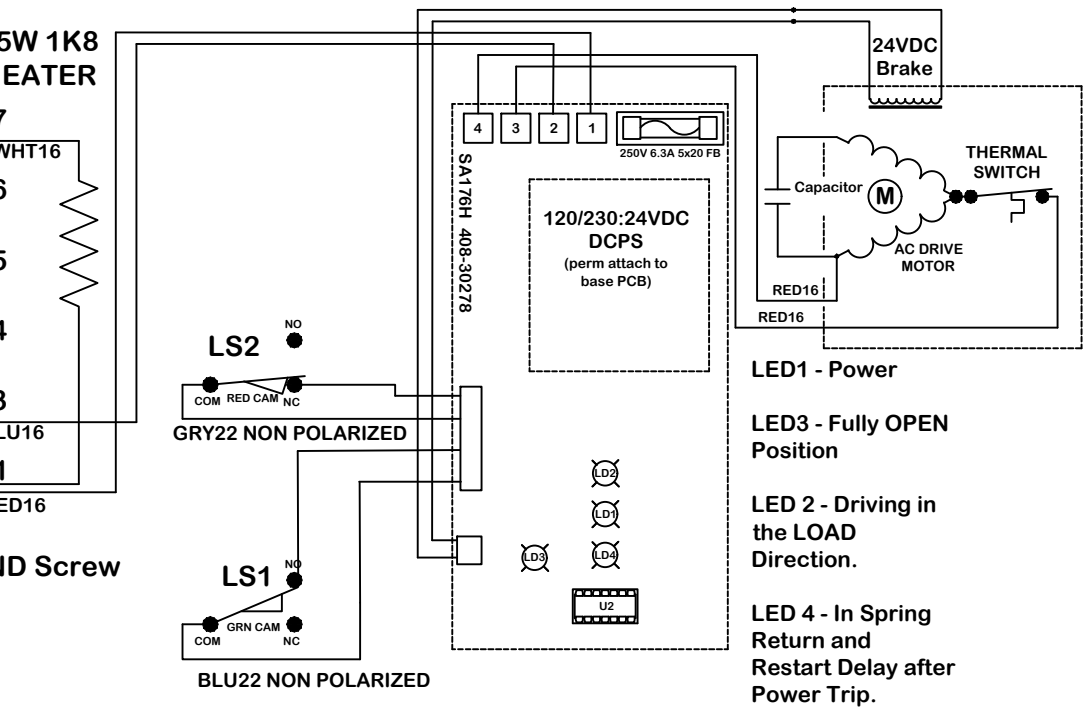


rev	change	date	name	revision	date	name
m	.					
l						
k						
j						
i						
h						
g						
f						
naming			material no			
dwg by: PMR			Date: 12.16.20			
scale: NONE			ind			
ProMation			Wiring Diagram			
On/Off wiring diagram for 120/230vac PA-PD(O) Series CCW Spring Return Actuators.			WD-850-E0B00.dwg			
REV: A						



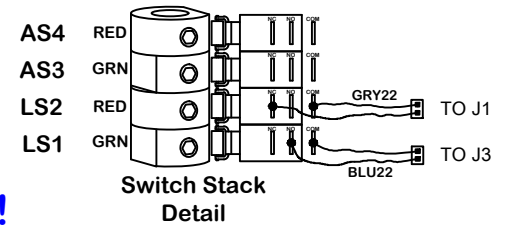
	SPRING RTN (FULL CCW)	-5° 0° 5°	LOAD SPRING (FULL CW)	85° 90° 95°
F				
E				
D	COM SW4			
C				
B				
A	COM SW3			



OPEN showing in indicator window = FULLY LOADED (CW)

CLOSED showing in indicator window = FULL SPRING RTN (CCW)

Actuator ships in the fully UNLOADED (CCW) position!



Use For:

PA/PD(O)-CCW-HV2S4(7)

This document is the property of ProMation Engineering, Inc. Distribution of this document without the written consent of the owner is strictly forbidden. Failure to comply will incur a liability for damages.