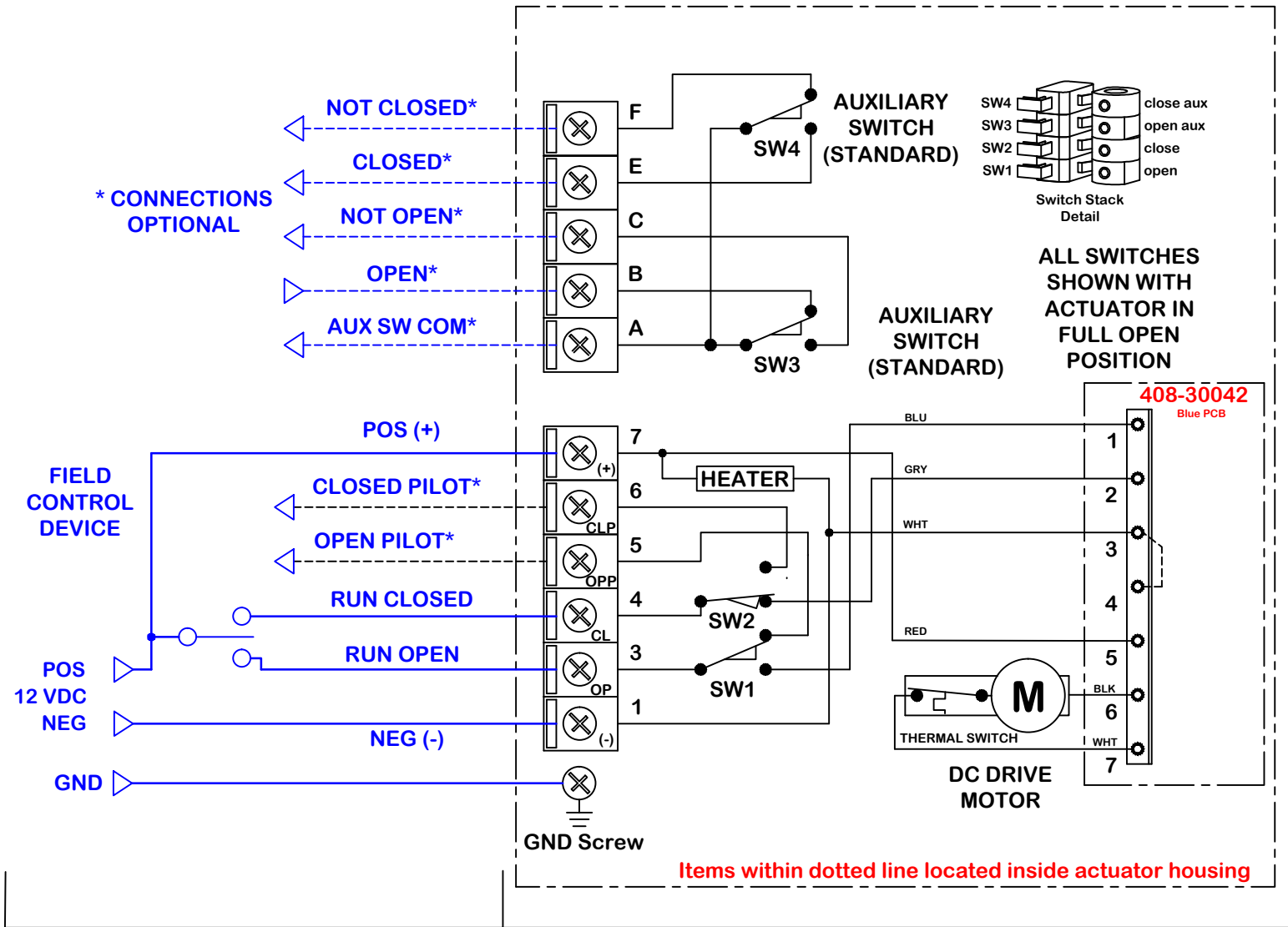


rev	change date	revision	name	2/10/2016 2:38:24 PM	WD-850-H1101.dwg
h			nomring		
g			dwn by:	Date	
f			BJW	10.9.2013	
e			scale	NONE	
d					
c					
b	02.02.16	Pos switching DC, replaces H1101E WD			
a					

ProMation		Wiring Diagram for 2 position or Jog Control. P1, Series 24VDC Actuators, Positive Switched.
REV	A	



Actuator ships in fully closed position!

P1.A-12N4+DC (POS switched)

This document is the property of ProMation Engineering, Inc. Distribution of this document without the written consent of the owner is strictly forbidden. Failure to comply will incur a liability for damages.