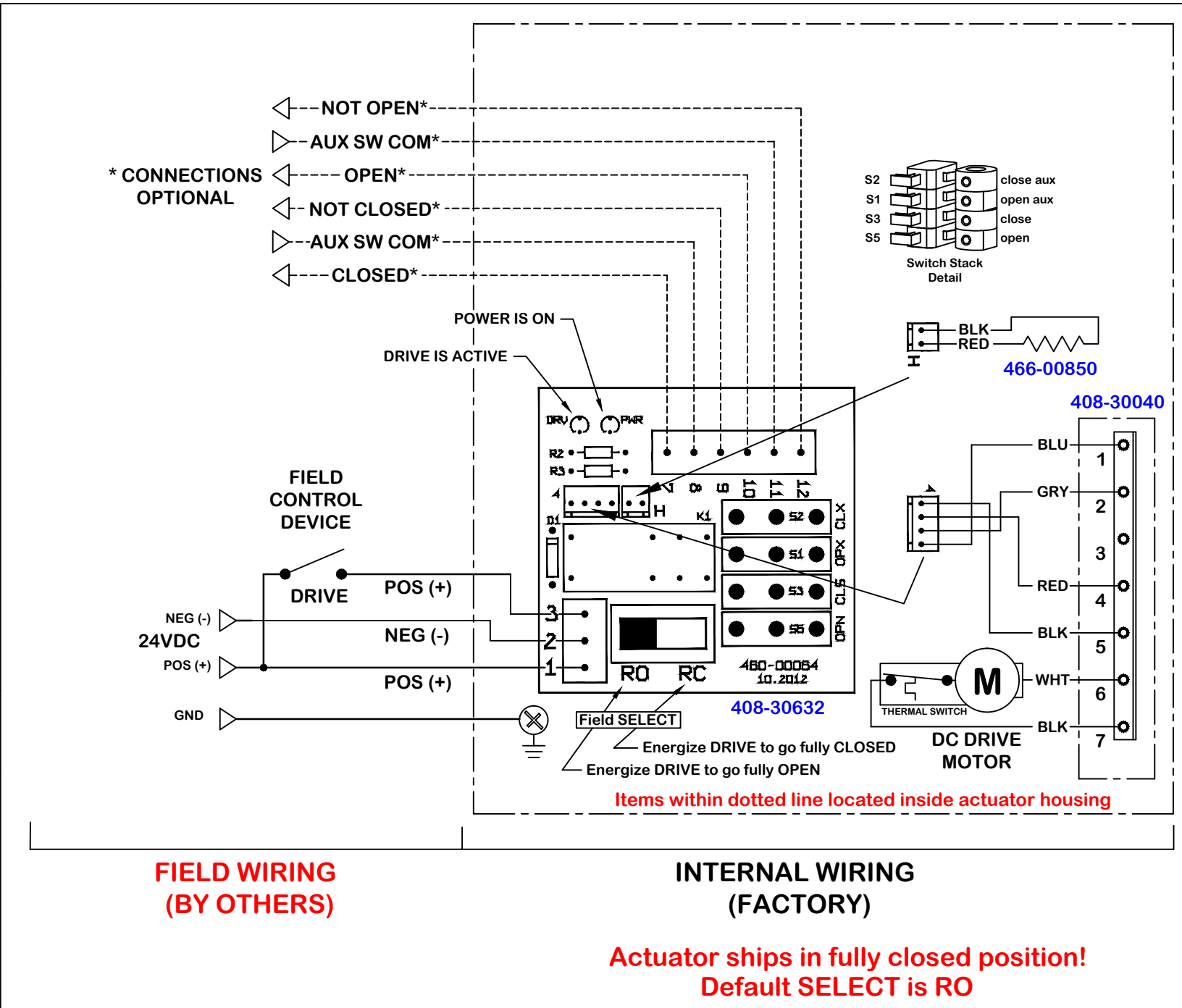


rev	change date	revision	name	12/4/2012 4:29:58 PM	WD-850-H2510.dwg
h	.		noming		
g			dwn by:	Date	
f			BJW	11.29.2012	
e			scale	NONE	
d					
c					
b	12.04.12	New Document for New Board			
a					



P1.A-24N4-DC (RO or RC)

This document is the property of ProMation Engineering, Inc. Distribution of this document without the written consent of the owner is strictly forbidden. Failure to comply will incur a liability for damages.

ProMation Engineering, Inc.
16138 Flight Path Drive
Brooksville, FL 34604
Ph:352-544-8436 Fx(352-544-8439)

Promation

WD-850-H2510

REV **A**