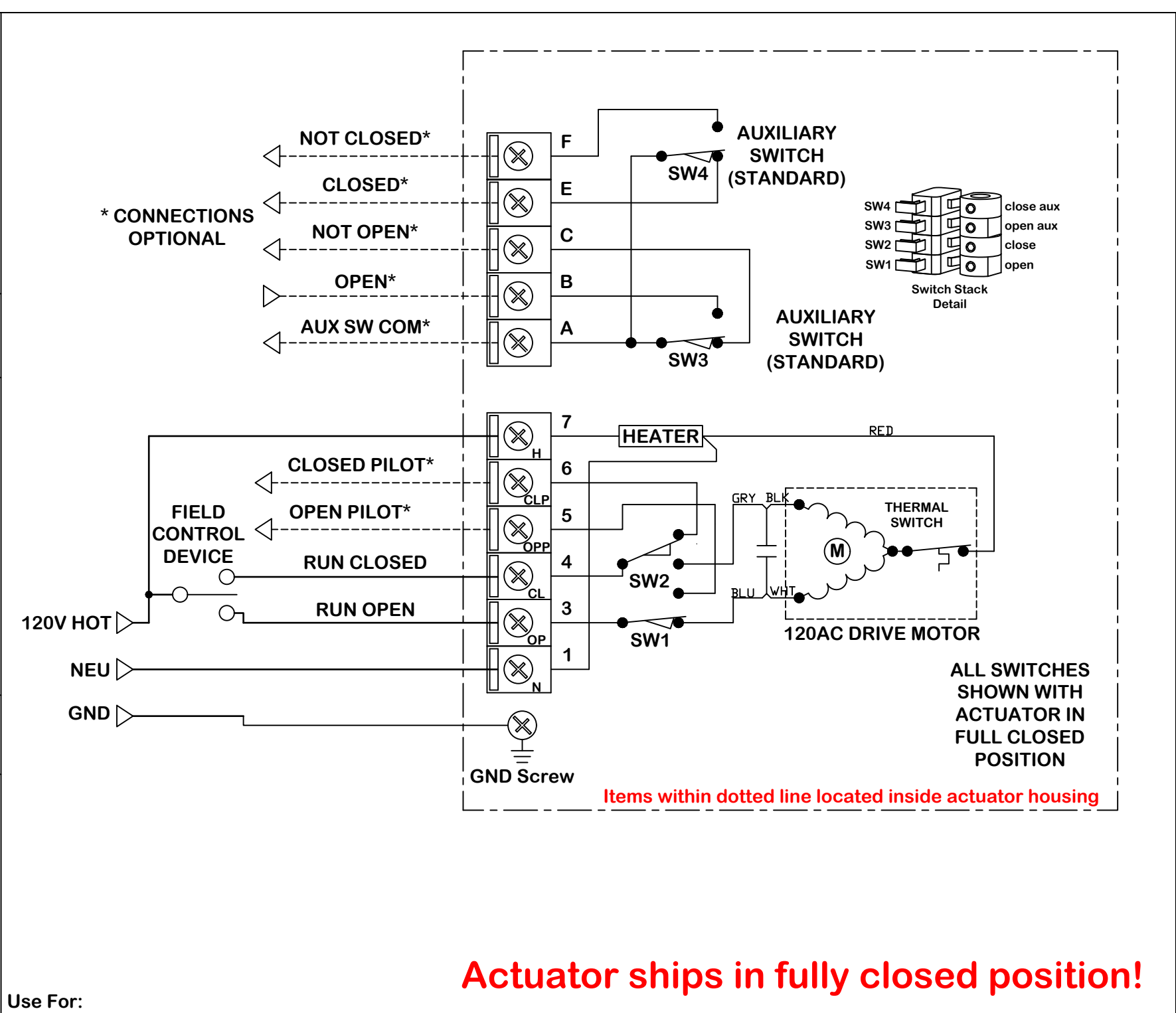


rev	change	date	revision	name	Plotted: 1/14/2020 12:57:25 PM
e	02.23.17	Updated wire colors	KL		
f	01.02.20	Add Ex to titles	DC		
g					
h					
i					
j					
k					
l					
naming					
material no					
ind					
Wiring Diagram					
material					
dwn by: Date					
BJW 7.2.2011					
scale					
NONE					
Promotion					
Wiring Diagram for 2 position or Jog Control. P1.A Series 120vac Actuators N4 and N7.					
WD-850-H4101F					
REV					
F					



Use For:

P(X)1.A-120N4(7)

Actuator ships in fully closed position!

This document is the property of ProMation Engineering, Inc. Distribution of this document without the written consent of the owner is strictly forbidden. Failure to comply will incur a liability for damages.

ProMation Engineering, Inc.
16138 Flight Path Drive
Brooksville, FL 34604
Ph:352-544-8436 Fx(352-544-8439)