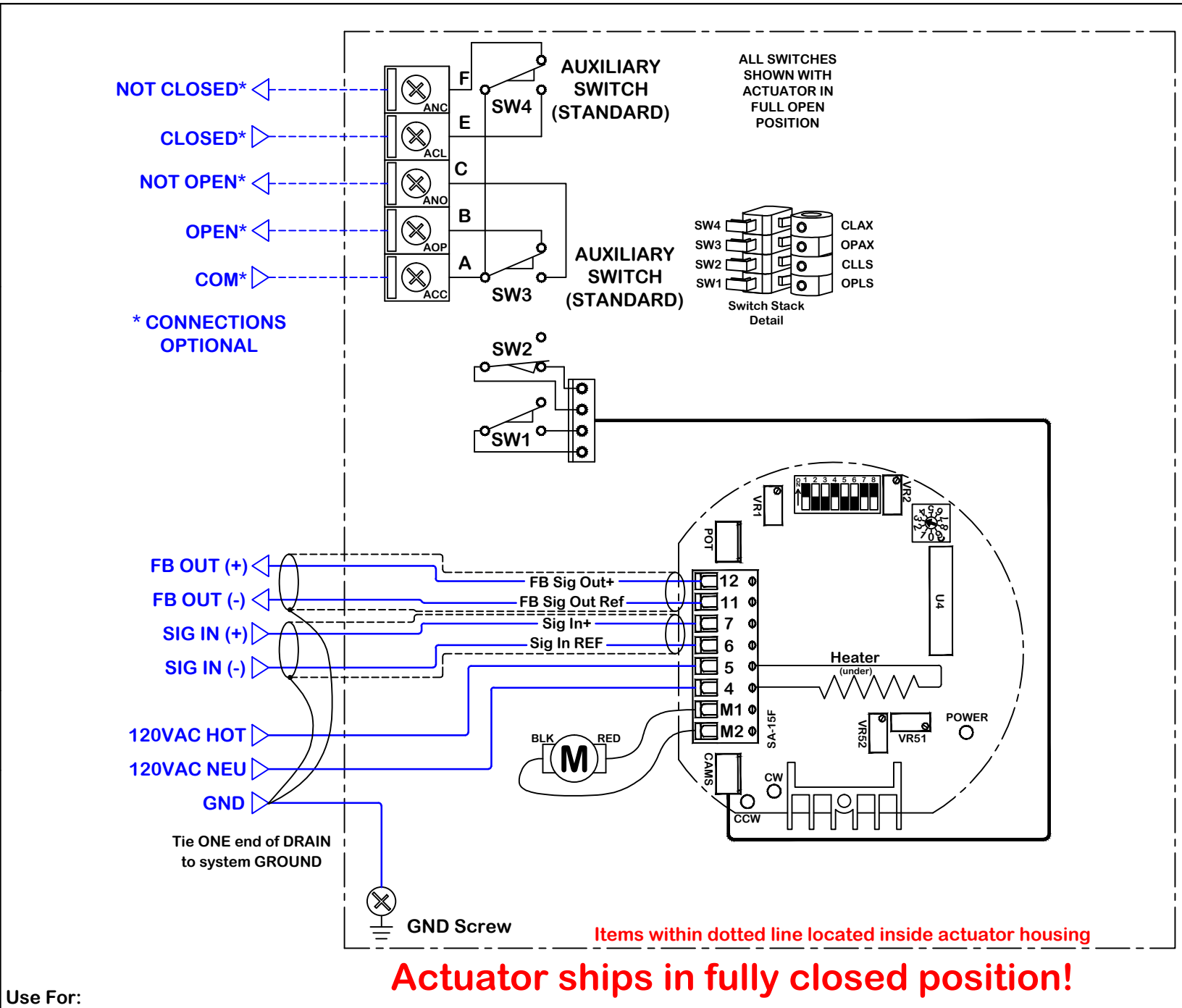


rev	change date	revision	name	5/20/2015 8:12 AM	WD-850-H4201.dwg
h			noming		
g			dwn by:	BJW	
f			Date	11.21.2013	
e			scale	NONE	
d					
c					
b	0723.2012	Added "Print date" and "Title" label			
a					
<b>WD-850-H4201</b> PROPORTIONAL wiring diagram for 120VAC P1.A Series Actuators REV <b>A</b>					



Use For:

**P1.A-120PN4**

ProMation Engineering, Inc.  
16138 Flight Path Drive  
Brooksville, FL 34604  
Ph:352-544-8436 Fx(352-544-8439)

This document is the property of ProMation Engineering, Inc.  
Distribution of this document without the written consent of the owner is strictly forbidden.  
Failure to comply will incur a liability for damages.