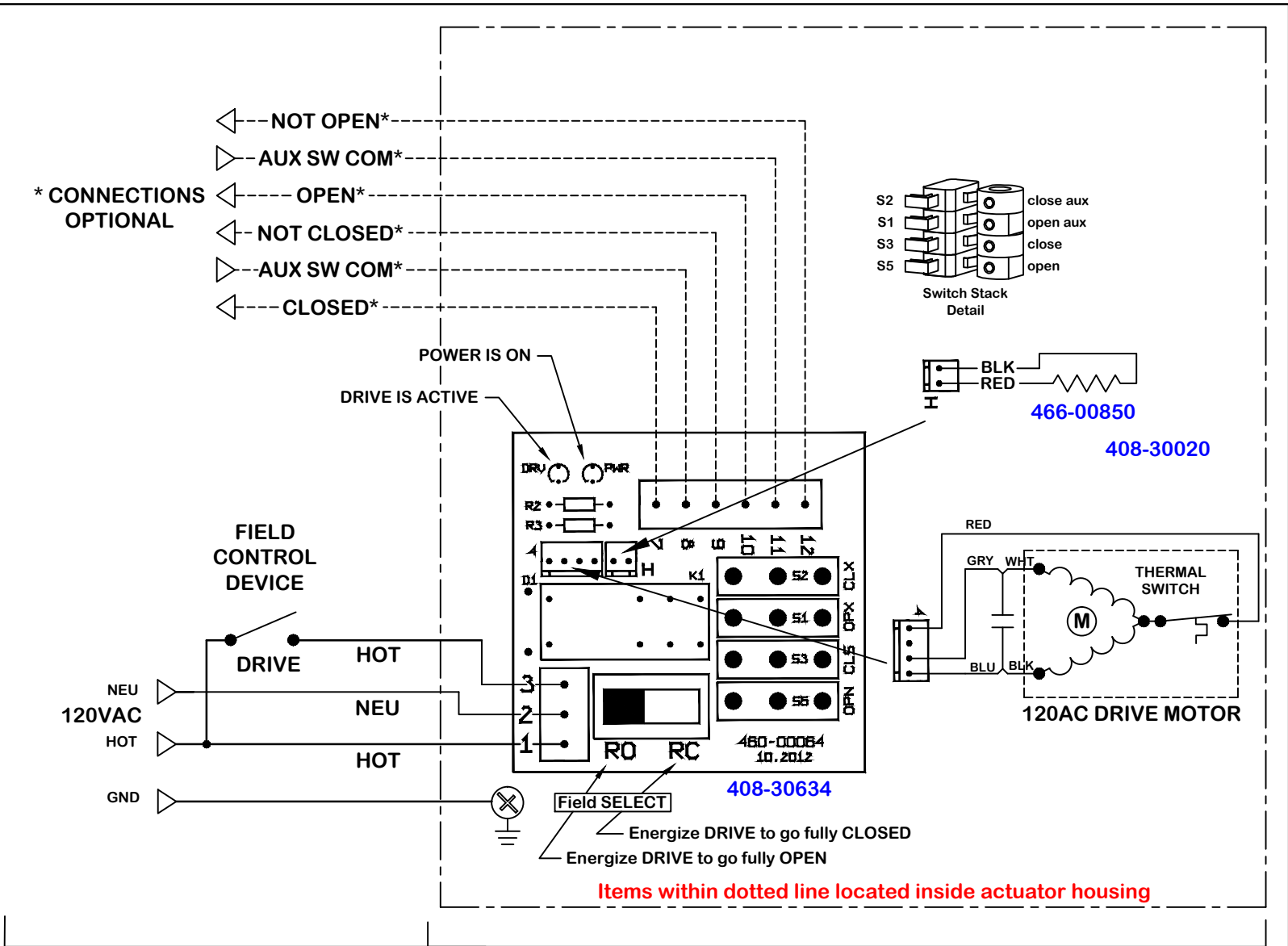


rev	change date	revision	name	9/25/2013 3:53:45 PM	WD-850-H4510.dwg
h	.		noming		
g			dwn by:	Date	
f			BJW	11.29.2012	
e			scale	NONE	
d					
c	09/25/2013				
b	12.04.12	Edited wire color for P1.A New Document for New Board			
d					

material no	ind	Wiring Diagram
WD-850-H4510		
Single wire control (RO or RC) wiring		
B		



**FIELD WIRING
(BY OTHERS)**

**INTERNAL WIRING
(FACTORY)**

**Actuator ships in fully closed position!
Default SELECT is RO**

P1.A-120N4 (RO or RC)

ProMation Engineering, Inc.
16138 Flight Path Drive
Brooksville, FL 34604
Ph:352-544-8436 Fx(352-544-8439

This document is the property of ProMation Engineering, Inc.
Distribution of this document without the written consent of the owner is strictly forbidden.
Failure to comply will incur a liability for damages.