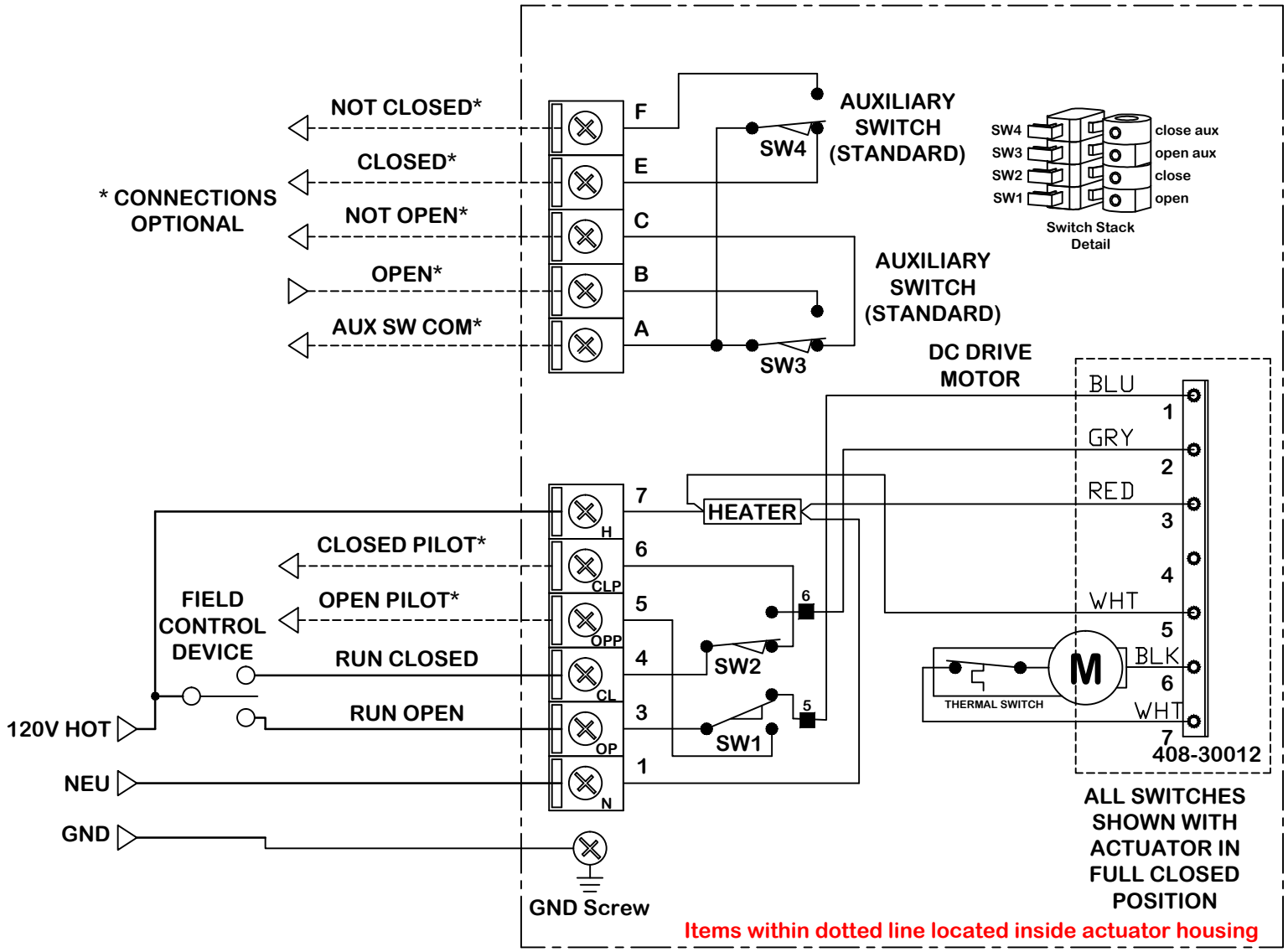


rev	change date	revision	name	Plotted: 8/29/2012 9:11:21 AM	WD-850-H4701E.dwg
e	05.14.12	Changed header wire colors	KHL		
f	08.28.12	Formatting Edits	KHL		
g					
h					
i					
j					
k					
l					
noming			material no		
dwn by:			Date		
BJW			7.2.2011		
scale			NONE		
none			ind		
none			material		
none			Wiring Diagram		
<b>Promation</b>			<b>WD-850-H4701E</b>		
Writing Diagram for 2 position or Jog Control. P1.A Series 120vac EXTENDED DUTY Actuators.			REV		
			<b>F</b>		



**Actuator ships in fully closed position!**

Use For:

**P1.A-120N4-ED**

ProMation Engineering, Inc.  
16138 Flight Path Drive  
Brooksville, FL 34604  
Ph:352-544-8436 Fx(352-544-8439)

This document is the property of ProMation Engineering, Inc.  
Distribution of this document without the written consent of the owner is strictly forbidden.  
Failure to comply will incur a liability for damages.