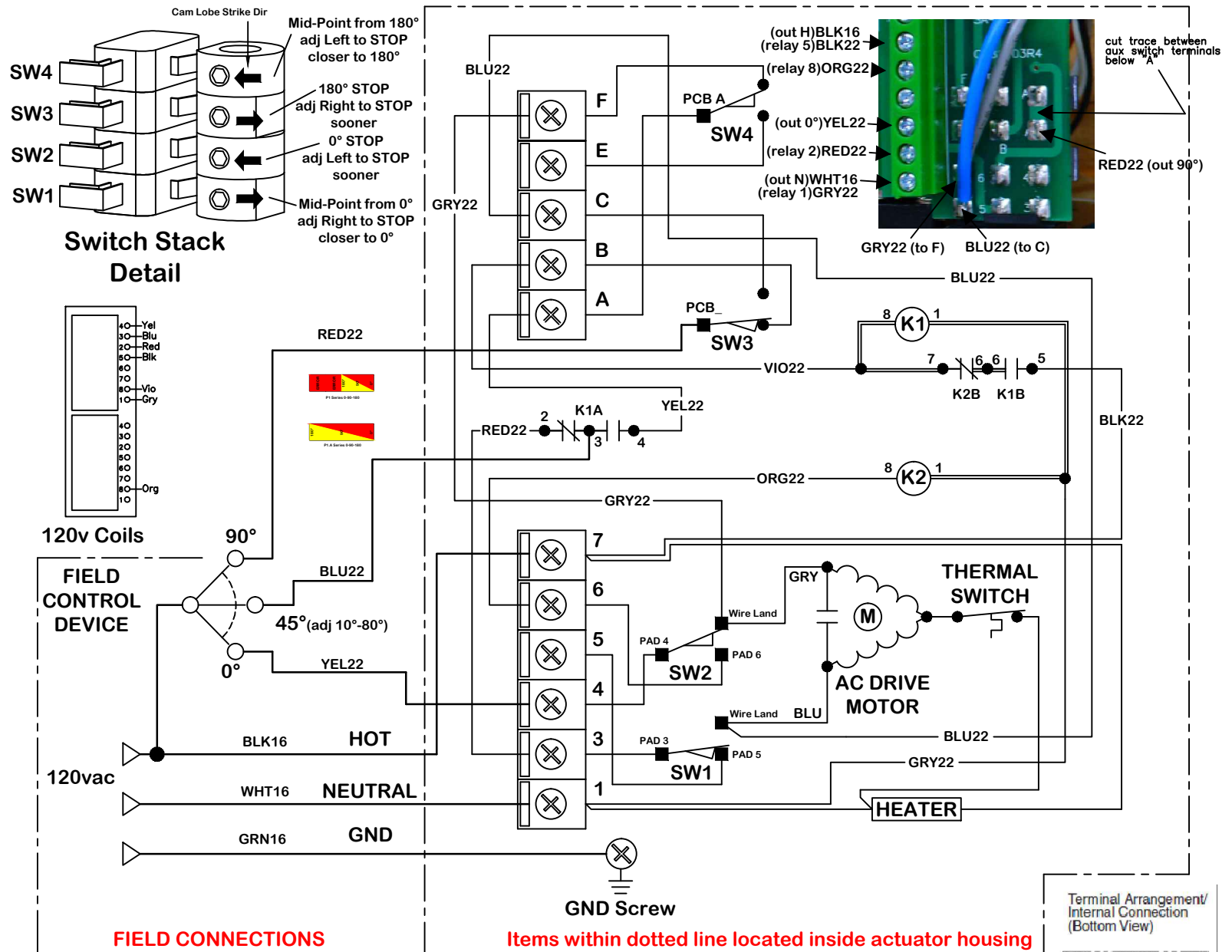


rev	change date	revision	name	scale	date	material no	ind	material
D	07/19/2012	Added Third detent and Third label	REL	NONE	2.2.2011			
E								
F								
G								
H								
noming				material no				
dwn by:				date				
BJW				2.2.2011				
Promation				WD-850-H4H01				
5/21/2015 4:47 PM				Wiring Diagram for 3 position control. P1.A Series 120VAC Actuators.				
REV				A				



Use For:

**P1.A-120AC, 0-45-90-45-0**

This document is the property of ProMation Engineering, Inc. Distribution of this document without the written consent of the owner is strictly forbidden. Failure to comply will incur a liability for damages.

ProMation Engineering, Inc.  
16138 Flight Path Drive  
Brooksville, FL 34604  
Ph:352-544-8436 Fx:352-544-8439