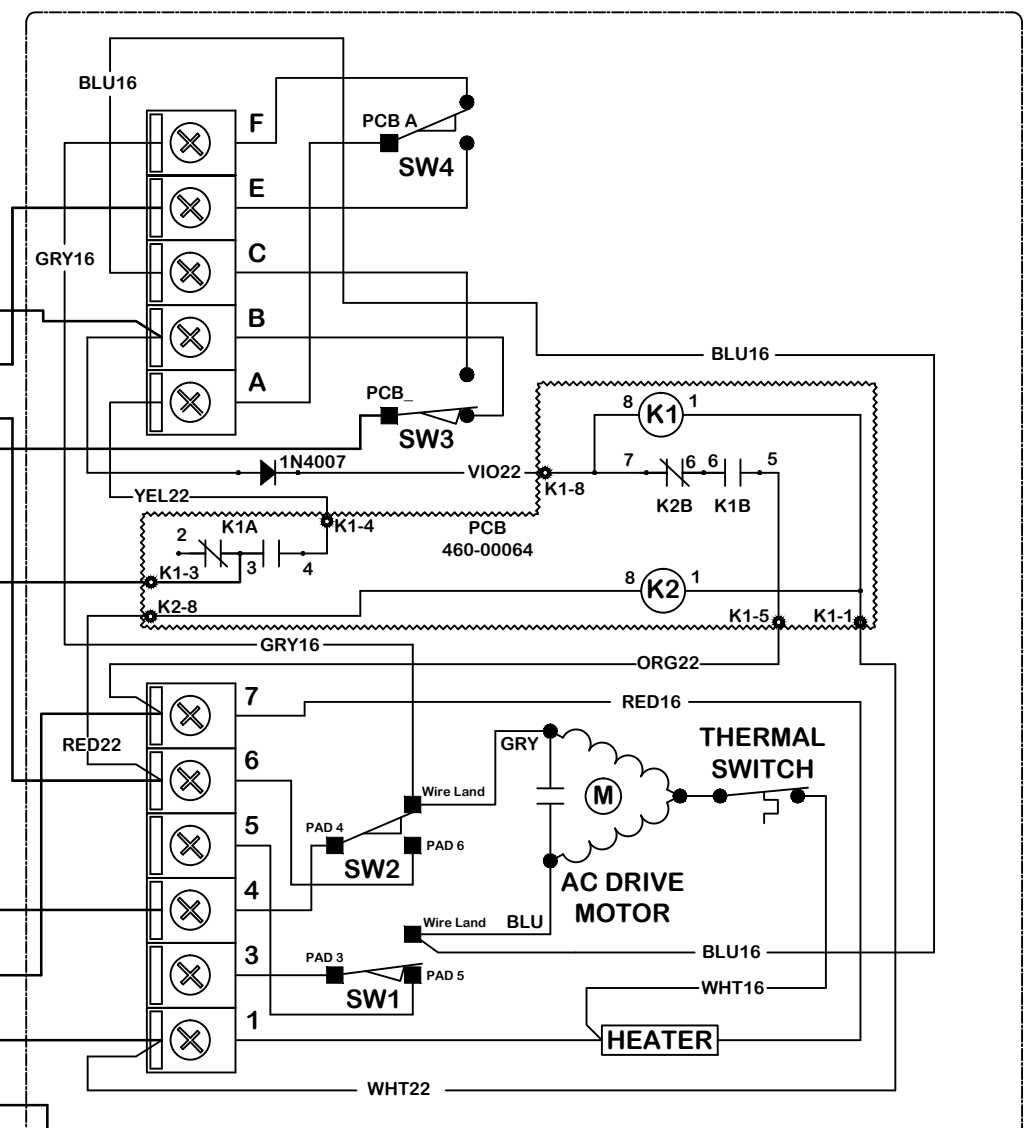
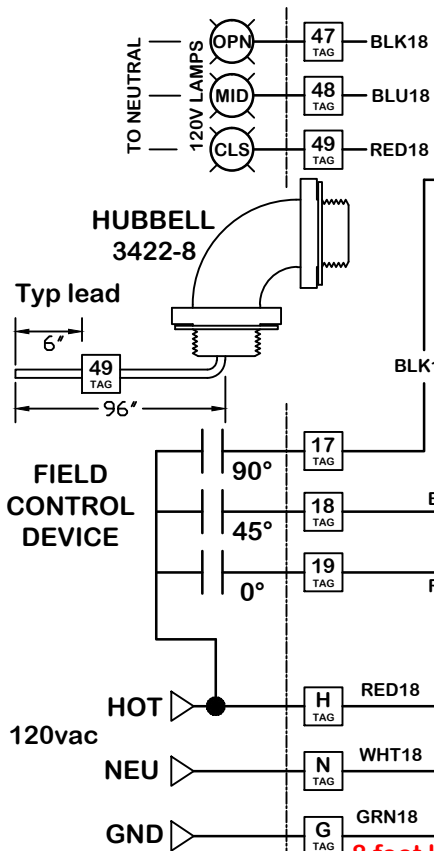
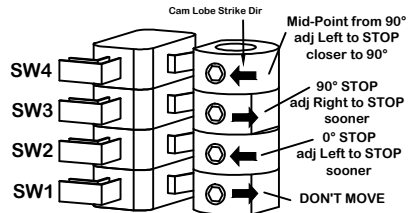


rev	change	date	revision	name
D	07/19/2012			RHL
C	05/28/2015			RHL
B	07/19/2012			RHL
A				

noming	material no	ind	Wiring Diagram
dwg by: BJW	5.27.2015		
Date	5.27.2015		
scale	NONE		

Promotion		Wiring Diagram for 3 position control.	
5/28/2015 1:40 PM		P1.A Series 120VAC Actuators.	
WD-850-H4H42.dwg		WD-850-H4H42	
REV	B		



FIELD CONNECTIONS

8 foot leads install 90° Sealrite at actuator, plug second EMT port

Items within dotted line located inside actuator housing

Midpoint only from full open, stop indicator outputs

Terminal Arrangement/ Internal Connection (Bottom View)



Use For:

P1.A-MWOEM1

ProMation Engineering, Inc.
16138 Flight Path Drive
Brooksville, FL 34604
Ph:352-544-8436 Fx:352-544-8439

This document is the property of ProMation Engineering, Inc.
Distribution of this document without the written consent of the owner is strictly forbidden.
Failure to comply will incur a liability for damages.