

rev	change date	revision	name	date	scale	material no	ind	Wiring Diagram
h	.		noming					
g				dwn by: BJW	Date: 11.29.2012			
f								
e					NONE			
d								
c								
b	12.04.12	New Document for New Board	KHL					
a								

12/4/2012 4:30:48 PM

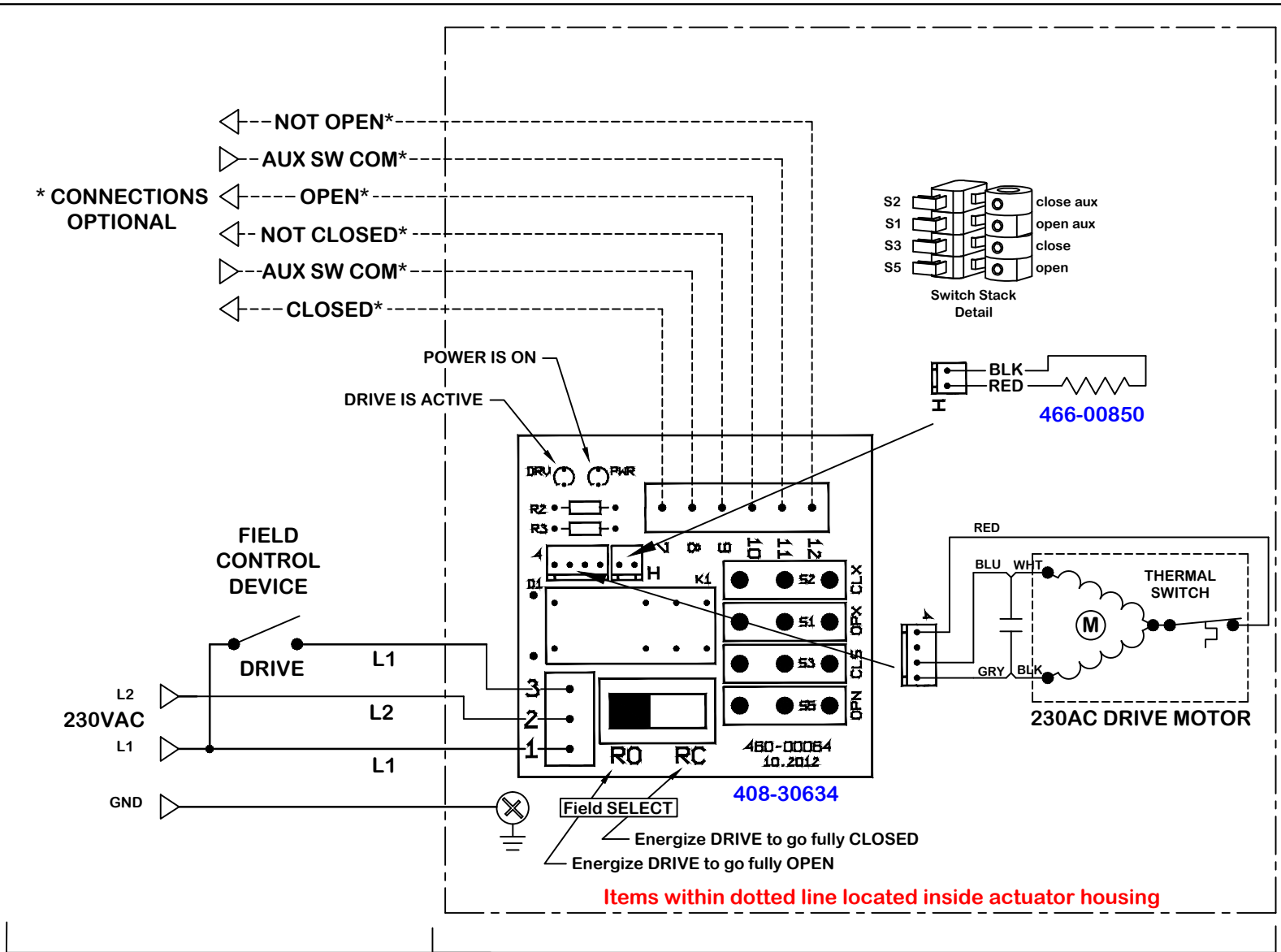
Promation

Single wire control (RO or RC) wiring
230vac P1.A Series.

WD-850-H5510.dwg

WD-850-H5510

REV **A**



**FIELD WIRING
(BY OTHERS)**

**INTERNAL WIRING
(FACTORY)**

**Actuator ships in fully closed position!
Default SELECT is RO**

P1.A-230N4 (RO or RC)

ProMation Engineering, Inc.
16138 Flight Path Drive
Brooksville, FL 34604
Ph:352-544-8436 Fx(352-544-8439)

This document is the property of ProMation Engineering, Inc.
Distribution of this document without the written consent of the owner is strictly forbidden.
Failure to comply will incur a liability for damages.