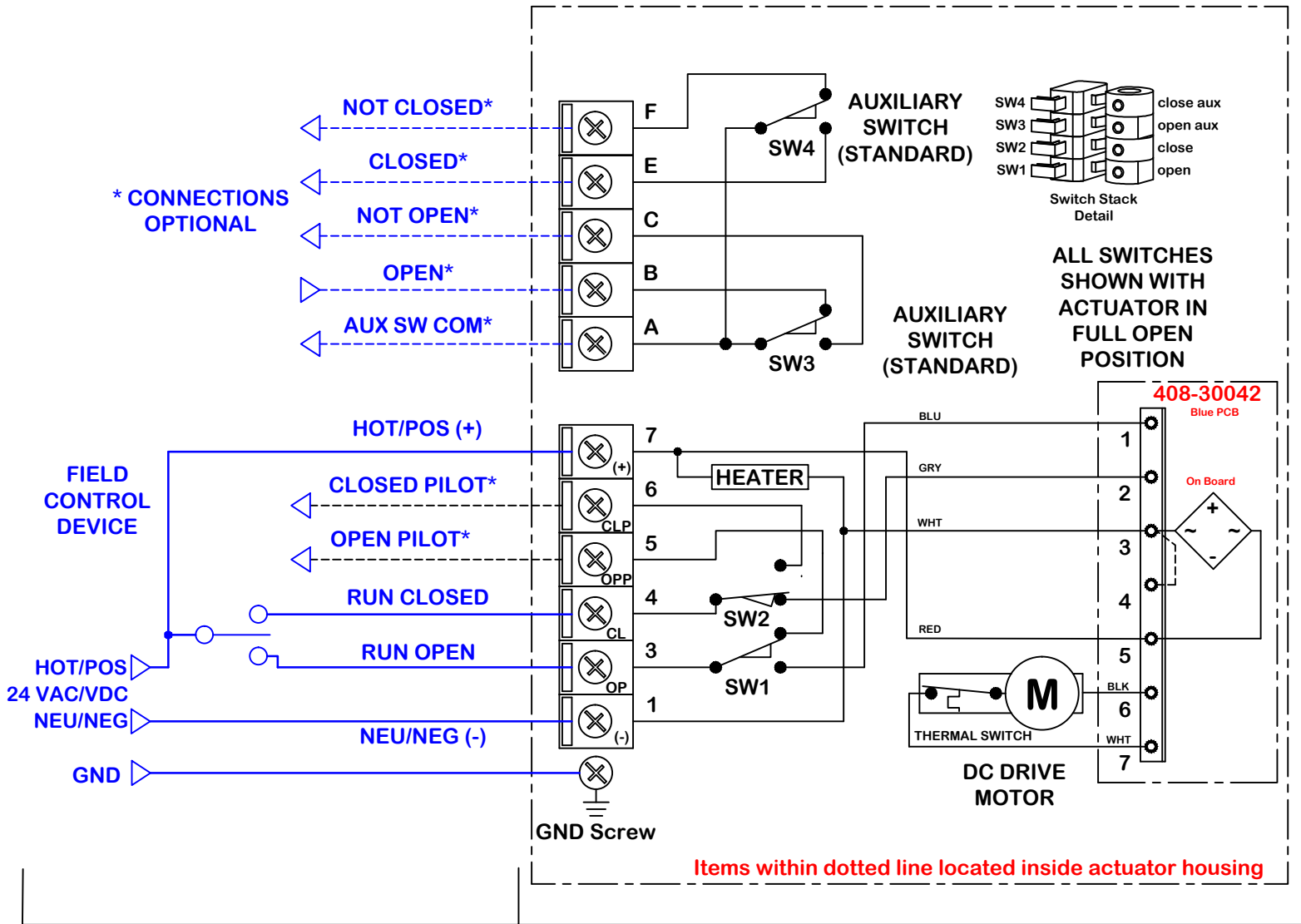


rev	change date	02/02/16	Head/Pos switching AC and DC, replaces H310E and H310E W3	revision	name	2/10/2016 2:42:34 PM	WD-850-HA101.dwg
h	nomring						
g	dwn by:	BJW	Date	10.9.2013	material no		
f	scale	NONE			ind		
e					material		
d					Wiring Diagram		
c							
b							
a							
Promation Wiring Diagram for 2 position or Jog Control, P1, Series 24VAC/VDC Actuators, Positive Switched. WD-850-HA101							
WD-850-HA101							
A							



**FIELD WIRING
(BY OTHERS)**

**INTERNAL WIRING
(FACTORY)**

Actuator ships in fully closed position!

P1.A-24N4+ACDC(POS switched)

This document is the property of ProMation Engineering, Inc. Distribution of this document without the written consent of the owner is strictly forbidden. Failure to comply will incur a liability for damages.