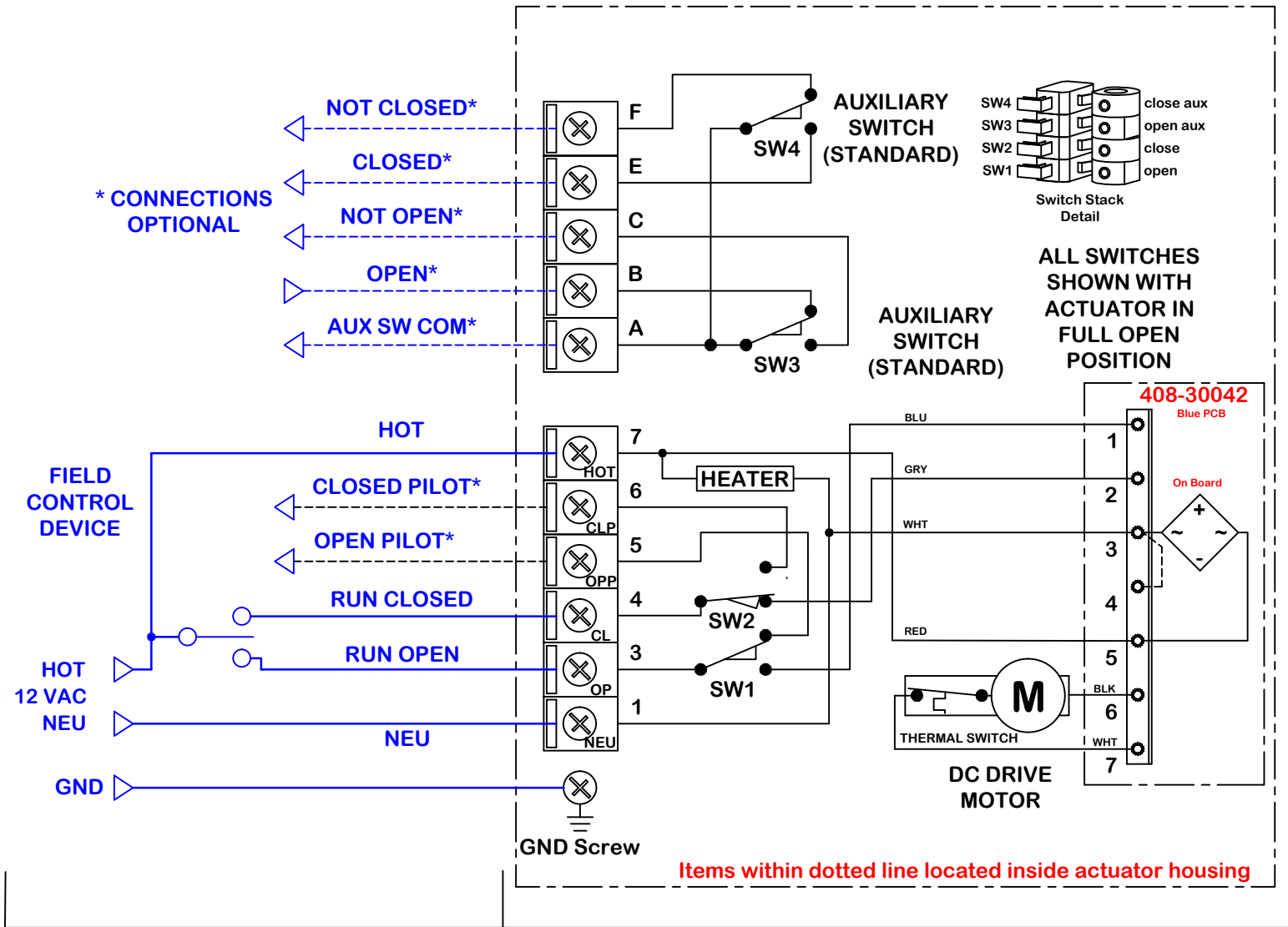


rev	change date	revision	name	2/10/2016 2:40:49 PM	WD-850-HD101.dwg
h			nomring		
g			dwn by:	Date	
f			BJW	10.9.2013	
e			scale	NONE	
d					
c					
b	02.02.16	Hot switching AC, replaces HD101E WD			
a					

<b>Promation</b>		Wiring Diagram for 2 position or Jog Control. P1, Series 12VAC Actuators, Positive Switched.
REV	<b>A</b>	



**FIELD WIRING  
(BY OTHERS)**

**INTERNAL WIRING  
(FACTORY)**

**Actuator ships in fully closed position!**

**P1.A-12N4+AC (POS switched)**

This document is the property of ProMation Engineering, Inc. Distribution of this document without the written consent of the owner is strictly forbidden. Failure to comply will incur a liability for damages.