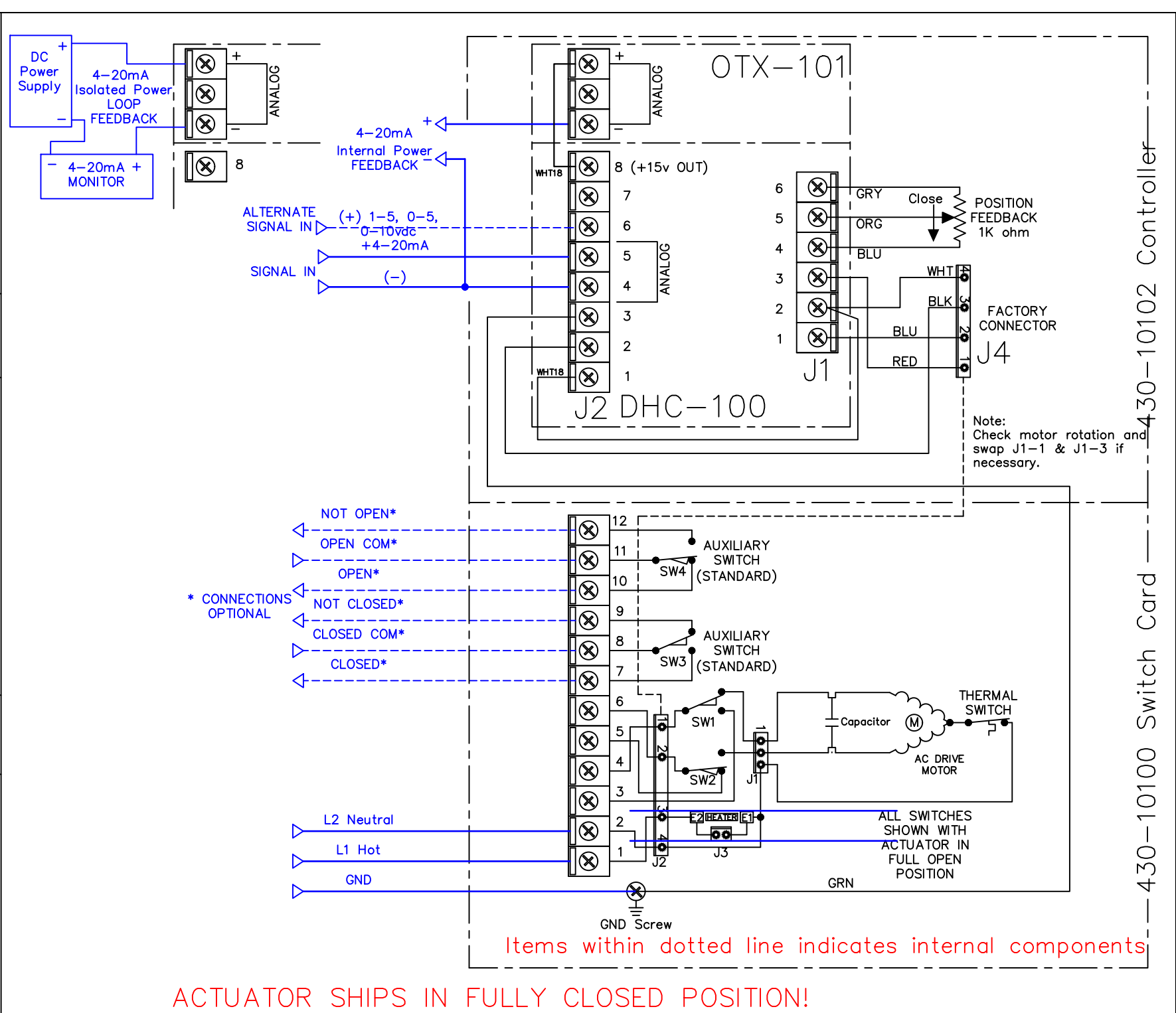


rev change date	revision	name	6/7/2024 2:58 PM
d	01.06.23	DAE	
c	04.13.23	DAE	
b	06.07.24	MMK	
a			
<p>REAL. WIRE CLR FROM MOTOR AND TSP AND TSP Updated to P2-8 HR Configuration for linear Conversion from P4201E FL200 and 2000</p>			
<p>name</p>			
<p>6/7/2024 2:58 PM</p>			
<p>scale</p>			
<p>NONE</p>			
<p>Wiring Diagram</p>			
<p>WD-850-J4201 B.dwg</p>			
<p>PL 1200 and 2000 Series 120 and 230VAC Actuators. Standard and C1D1 Locations</p>			
<p>REV</p>			



ACTUATOR SHIPS IN FULLY CLOSED POSITION!