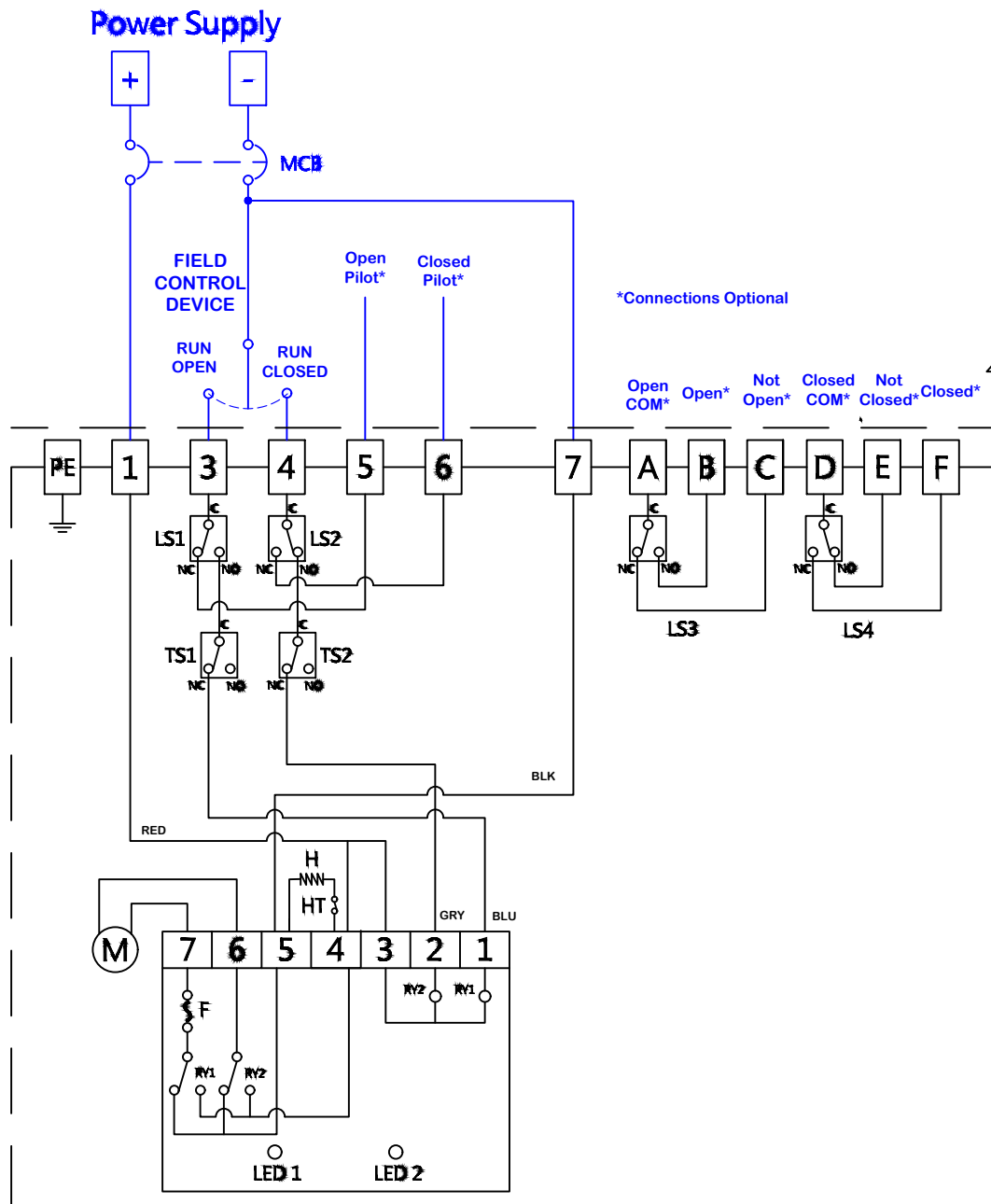


h	naming		dwn by:	Date	material no	Wiring Diagram
g			DJG	12.15.19	ind	material
f			scale	NONE		
e						
d						
c						
b	01.07.20	Negative to Term 7				
a	12.17.19	New WD from ST WD PX				
rev change date		revision	name	1/7/2020 11:04 AM		
			ProMation			
			P:\C CAD Files\Factory Wiring Dwg\WD-All CAD Files\WD-850\P2~3 (2~8)			
			Wiring Diagram for ON//OFF or Jog Control. PX2-6 Series 24VDC Actuators, Negative Switched.			
			WD-850-M2101 PX B			
			REV B			



Use For:

PX 2-6 24N7-DC

Actuator ships in fully closed position!

This document is the property of ProMation Engineering, Inc. Distribution of this document without the written consent of the owner is strictly forbidden. Failure to comply will incur a liability for damages.

ProMation Engineering, Inc.
16138 Flight Path Drive
Brooksville, FL 34604
Ph:352-544-8436 Fx(352-544-8439