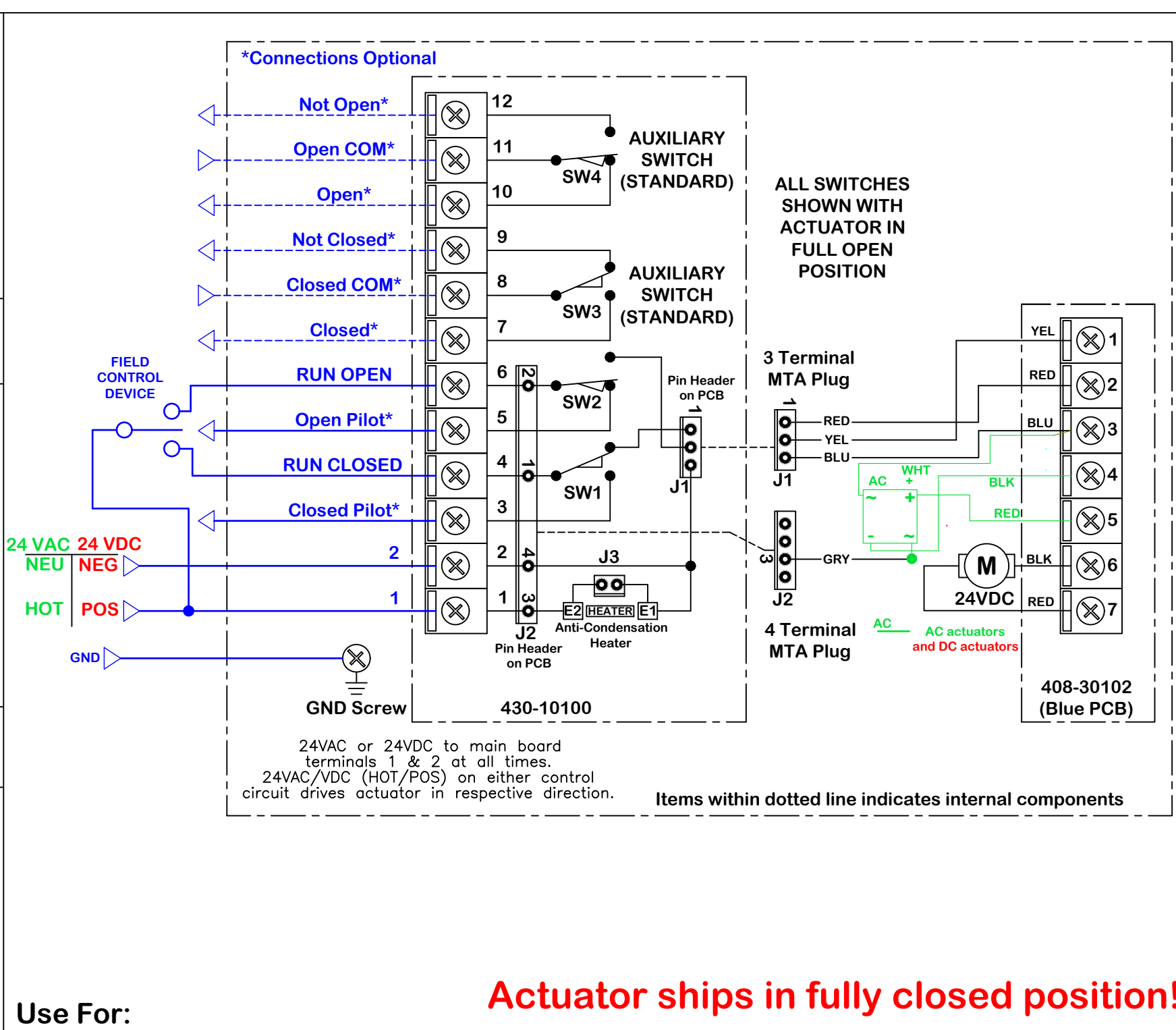


rev	change	date	revision	name	6/9/2020 4:46 PM
h	.	.	.	name	6/9/2020 4:46 PM
g	.	.	.	name	6/9/2020 4:46 PM
f	.	.	.	name	6/9/2020 4:46 PM
e	06/23/17	06/23/17	Added 'N' to products changed to P2-8	name	6/9/2020 4:46 PM
d	06/23/17	06/23/17	Removed DC only wiring	name	6/9/2020 4:46 PM
c	05/22/17	05/22/17	changed to +4VDC w/ AD & DC versions	name	6/9/2020 4:46 PM
b	01/28/17	01/28/17	changed to +4VDC	name	6/9/2020 4:46 PM
a	02/03/16	02/03/16	Hot switching, AC or DC, updated file replaces 21101 and 20101 files	name	6/9/2020 4:46 PM
rev	change	date	revision	name	6/9/2020 4:46 PM



Use For:
P2/8-24N(4,7)+ACDC

Actuator ships in fully closed position!

This document is the property of ProMation Engineering, Inc. Distribution of this document without the written consent of the owner is strictly forbidden. Failure to comply will incur a liability for damages.

ProMation Engineering, Inc.
16138 Flight Path Drive
Brooksville, FL 34604
Ph:352-544-8436 Fx(352-544-8439)