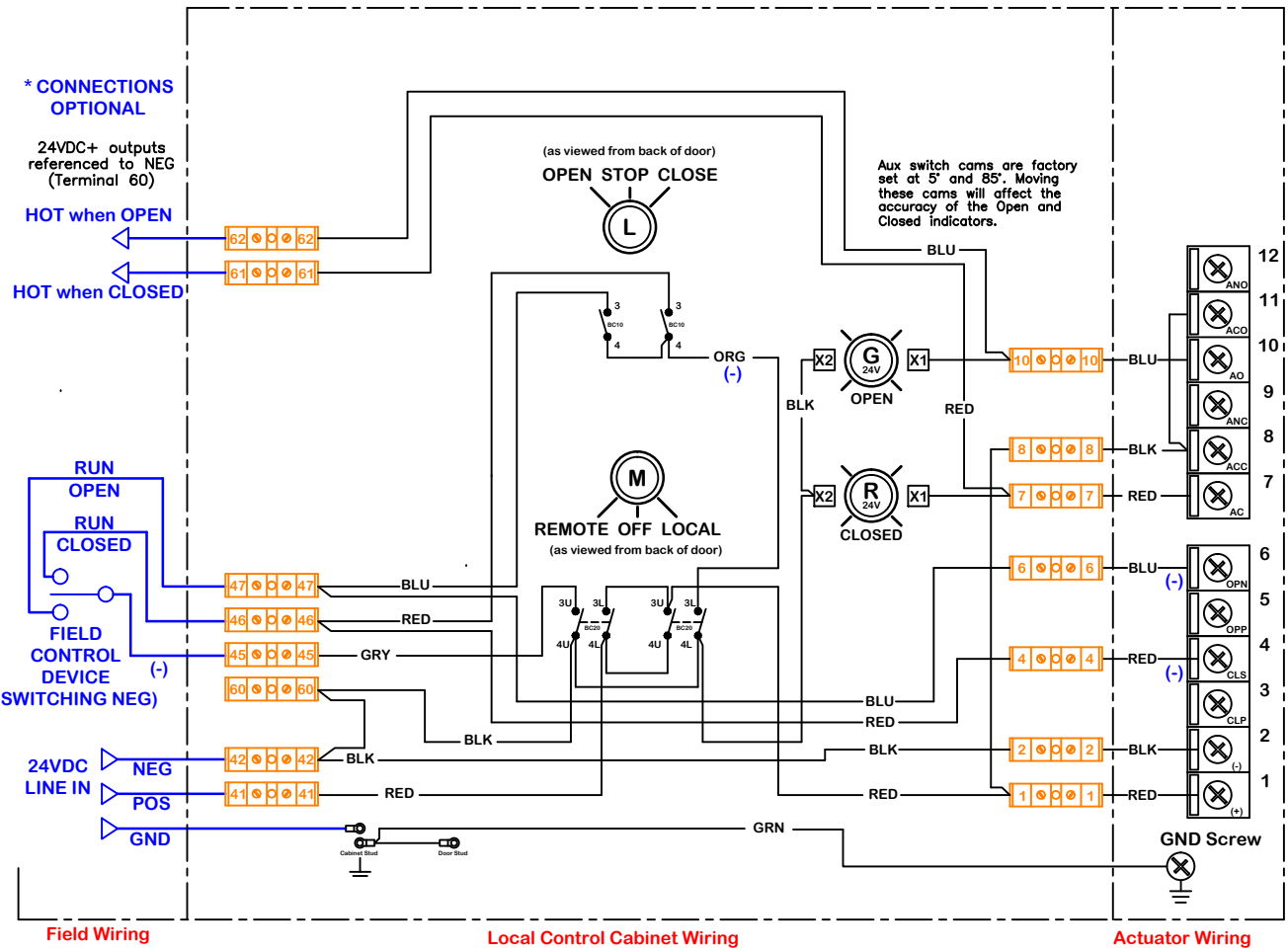


rev	change	date	08/24/12	Forming and detail data	name	9/18/2012 10:05 AM	WD 875 LB 213 24D D.dwg
c							
d							
e							
f							
g							
h							
i							
				namng			
				dwg by:	BJW		
				Date	11.10.2011		
				scale	NONE		
				material no	ind		
				Wiring Diagram	material		
				REV	C		
				ProMation Engineering, Inc.	16138 Flight Path Drive Brooksville, FL 34604 Ph:352-544-8436 Fx(352-544-8439		

Description of Operation:
Local / Remote On/Off/Jog control
EOT HOT outputs as well as EOT indicator lights.



Use For:

OPT LCS LB P2~13 P/S/F 24D D/R

**Use this solution for:
P2~P13 Series**

This document is the property of ProMation Engineering, Inc. Distribution of this document without the written consent of the owner is strictly forbidden. Failure to comply will incur a liability for damages.