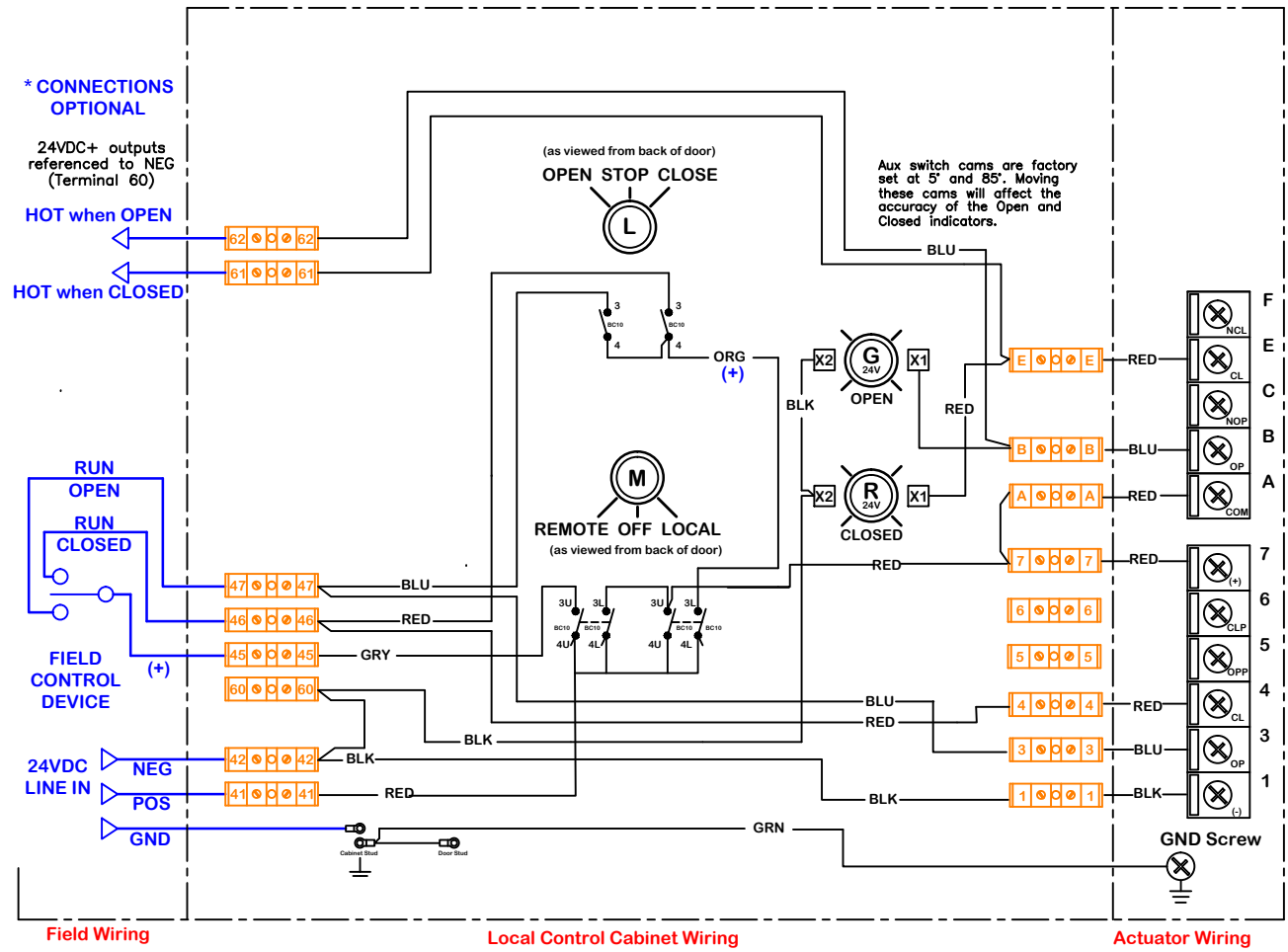


rev	change	date	08/24/12	Forming and detail date	nom	2/14/2019	4:27 PM	WD 875 LB P1 24D D.dwg
c	d	e	f	g	h	i	j	
naming			material no			Wiring Diagram		
revision			ind			material		
name			scale			REV		
KRL			NONE			A		
dwn by: PMR			Date: 11.10.2011			Wiring Diagram for Local Control Station		
WD 875 LB P1 24D D			P1-P1.A Series 24VDC Actuators			Use For:		

Description of Operation:
 Local / Remote On/Off/Jog control
 EOT HOT outputs as well as EOT indicator lights.



*** CONNECTIONS OPTIONAL**

24VDC+ outputs referenced to NEG (Terminal 60)

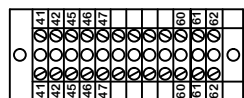
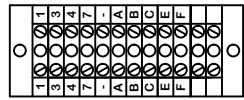
HOT when OPEN

HOT when CLOSED

(as viewed from back of door)
OPEN STOP CLOSE

(as viewed from back of door)
REMOTE OFF LOCAL

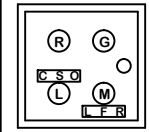
Aux switch cams are factory set at 5° and 85°. Moving these cams will affect the accuracy of the Open and Closed indicators.



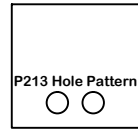
Terminal Block Layout (12x2)

Term Block Filename: Altech 875-LB-P1A-24D

Faceplate Filename: 4 hole 5x5 Steel



Door Hole Pattern



Back Hole Pattern

Notes:

Use this solution for:
P1 Series

Use For:
OPT LCS LB P1 P/S/F 24D D/R

ProMotion Engineering, Inc.
 16138 Flight Path Drive
 Brooksville, FL 34604
 Ph:352-544-8436 Fx(352-544-8439)

This document is the property of ProMotion Engineering, Inc.
 Distribution of this document without the written consent of the owner is strictly forbidden.
 Failure to comply will incur a liability for damages.