

rev	change	date	08/24/12	Forming and detail date	nom	9/18/2012 10:07 AM	WD 875 LC 01 120 D.dwg
i	nom	date	11.10.2011	down by:	BJW	scale	NONE
h	nom	date		down by:		scale	
g	nom	date		down by:		scale	
f	nom	date		down by:		scale	
e	nom	date		down by:		scale	
d	nom	date		down by:		scale	
c	nom	date		down by:		scale	
<b>ProMation</b> Wiring Diagram for Local Control Station P1 Series 120VAC Actuators <b>WD 875 LC 01 120 D</b>							
Use For: <b>OPT LCS LC 01 P/S/F 120 D/R</b>							

**Description of Operation:**  
 Local / Remote On/Off/Jog control  
 EOT HOT outputs as well as EOT indicator lights.

**\* CONNECTIONS OPTIONAL**

Line voltage outputs referenced to Neu (Terminal 60)

HOT when OPEN

HOT when CLOSED

(dry contacts)  
 Mode is REMOTE

Common

Mode is LOCAL

RUN OPEN

RUN CLOSED

FIELD CONTROL DEVICE

120VAC LINE IN

NEU

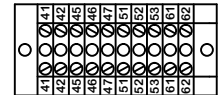
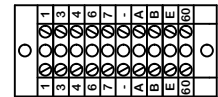
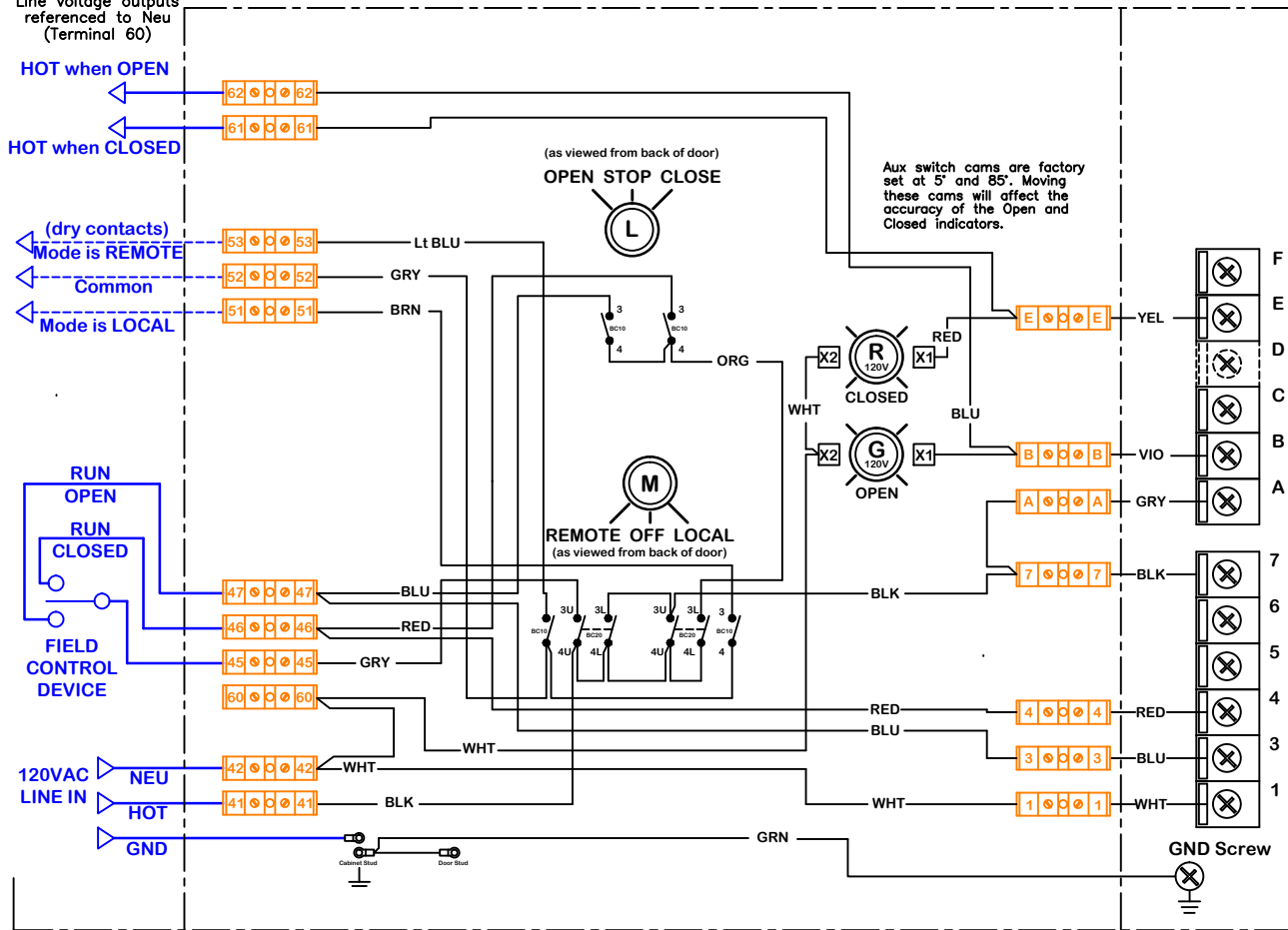
HOT

GND

Field Wiring

Local Control Cabinet Wiring

Actuator Wiring

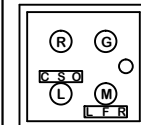


Terminal Block Layout (10x2)

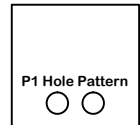
Term Block  
 Filename: Altech 875 LC01120D

Faceplate  
 Filename: 4 hole 5x5 Steel

Notes:



Door Hole Pattern



Back Hole Pattern

**Use this solution for:  
 P1 Series**

ProMation Engineering, Inc.  
 16138 Flight Path Drive  
 Brooksville, FL 34604  
 Ph:352-544-8436 Fx(352-544-8439)

This document is the property of ProMation Engineering, Inc.  
 Distribution of this document without the written consent of the owner is strictly forbidden.  
 Failure to comply will incur a liability for damages.