

Description of Operation:

Provides Local/Remote control of P2~13 Series On/Off actuators. Indicator lights are provided as indication of actuator at end of travel. HOT outputs are provided for external indicators of end of travel. Dry contact output for remote indication of Local/Off/Auto switch position.

*** CONNECTIONS OPTIONAL**

Line voltage outputs referenced to Neu (Terminal 60)

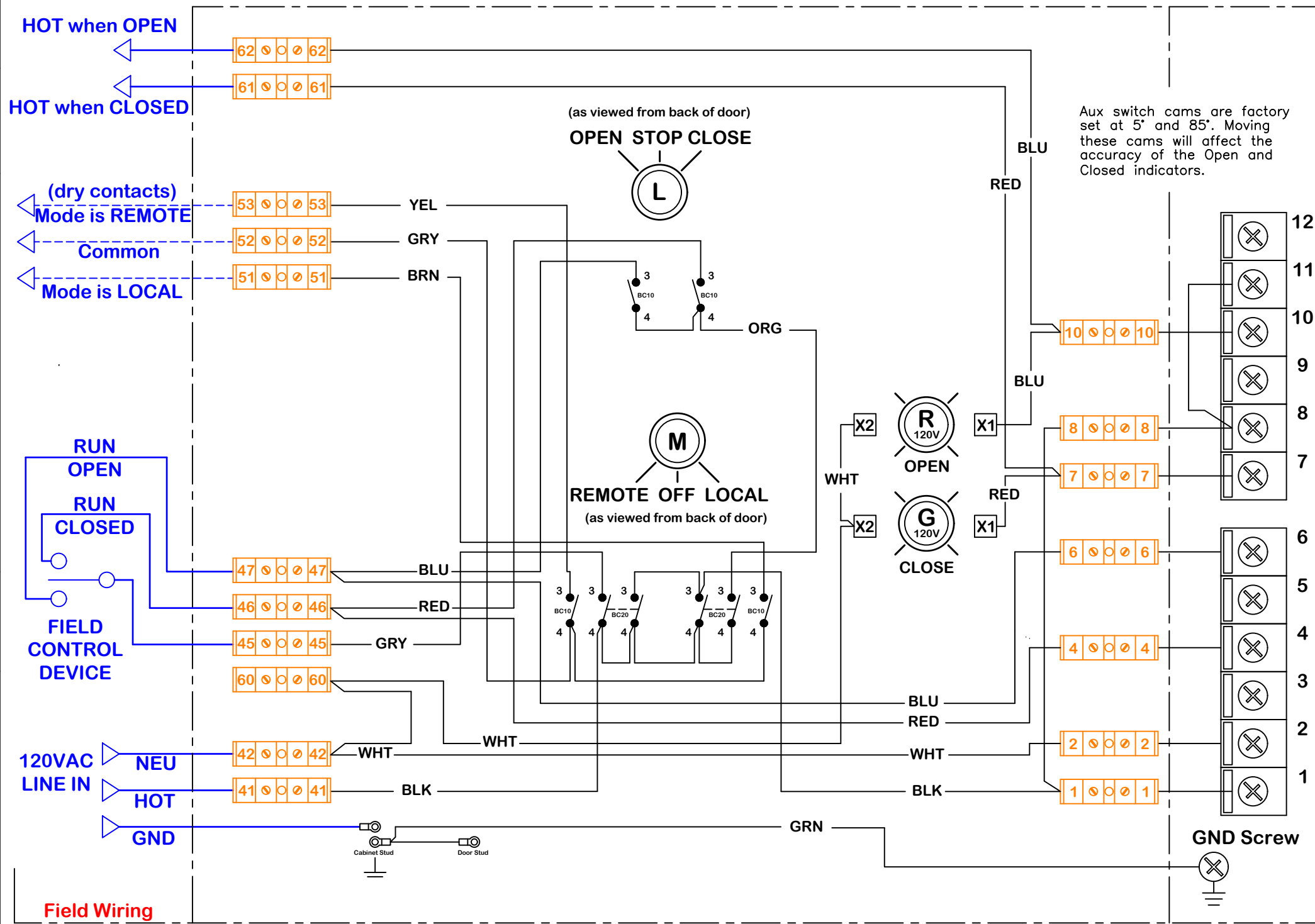
HOT when OPEN

HOT when CLOSED

(dry contacts)
Mode is REMOTE
Common
Mode is LOCAL

RUN OPEN
RUN CLOSED
FIELD CONTROL DEVICE

120VAC LINE IN
NEU
HOT
GND

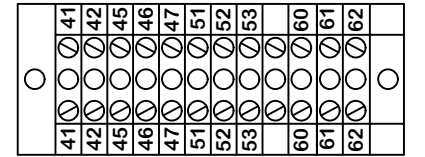
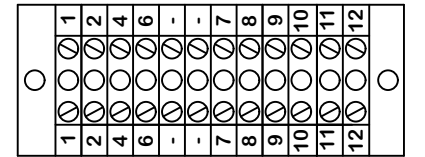


Use For:

Local Control Cabinet Wiring

Actuator Wiring

OPT LCS LC P2~13 P/S/F 120 D/R Inidicator Reversed

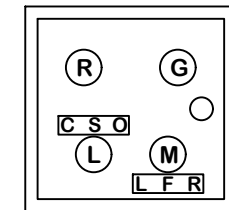


Terminal Block Layout (12x2)

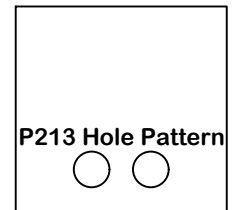
Term Block Filename: **Altech 875 LC213120D**

Faceplate Filename: **4 hole 5X5 Steel**

Enclosure front & back hole patterns



Door Hole Pattern



Back Hole Pattern

Notes:

**Use this solution for:
P2~P13 Series**

This document is the property of ProMation Engineering, Inc. Distribution of this document without the written consent of the owner is strictly forbidden. Failure to comply will incur a liability for damages.

ev	change	date	04.14.22	Swapped indicated light open close from WD 875 LC 213 120 DR	revision		name	DJG
h	nam	ing					name	DJG
g	rev	ision					name	DJG
f	rev	ision					name	DJG
e	rev	ision					name	DJG
d	rev	ision					name	DJG
c	rev	ision					name	DJG
b	rev	ision					name	DJG
a	rev	ision					name	DJG
h	rev	ision					name	DJG
g	rev	ision					name	DJG
f	rev	ision					name	DJG
e	rev	ision					name	DJG
d	rev	ision					name	DJG
c	rev	ision					name	DJG
b	rev	ision					name	DJG
a	rev	ision					name	DJG
h	rev	ision					name	DJG
g	rev	ision					name	DJG
f	rev	ision					name	DJG
e	rev	ision					name	DJG
d	rev	ision					name	DJG
c	rev	ision					name	DJG
b	rev	ision					name	DJG
a	rev	ision					name	DJG
h	rev	ision					name	DJG
g	rev	ision					name	DJG
f	rev	ision					name	DJG
e	rev	ision					name	DJG
d	rev	ision					name	DJG
c	rev	ision					name	DJG
b	rev	ision					name	DJG
a	rev	ision					name	DJG
h	rev	ision					name	DJG
g	rev	ision					name	DJG
f	rev	ision					name	DJG
e	rev	ision					name	DJG
d	rev	ision					name	DJG
c	rev	ision					name	DJG
b	rev	ision					name	DJG
a	rev	ision					name	DJG
h	rev	ision					name	DJG
g	rev	ision					name	DJG
f	rev	ision					name	DJG
e	rev	ision					name	DJG
d	rev	ision					name	DJG
c	rev	ision					name	DJG
b	rev	ision					name	DJG
a	rev	ision					name	DJG
h	rev	ision					name	DJG
g	rev	ision					name	DJG
f	rev	ision					name	DJG
e	rev	ision					name	DJG
d	rev	ision					name	DJG
c	rev	ision					name	DJG
b	rev	ision					name	DJG
a	rev	ision					name	DJG
h	rev	ision					name	DJG
g	rev	ision					name	DJG
f	rev	ision					name	DJG
e	rev	ision					name	DJG
d	rev	ision					name	DJG
c	rev	ision					name	DJG
b	rev	ision					name	DJG
a	rev	ision					name	DJG
h	rev	ision					name	DJG
g	rev	ision					name	DJG
f	rev	ision					name	DJG
e	rev	ision					name	DJG
d	rev	ision					name	DJG
c	rev	ision					name	DJG
b	rev	ision					name	DJG
a	rev	ision					name	DJG
h	rev	ision					name	DJG
g	rev	ision					name	DJG
f	rev	ision					name	DJG
e	rev	ision					name	DJG
d	rev	ision					name	DJG
c	rev	ision					name	DJG
b	rev	ision					name	DJG
a	rev	ision					name	DJG
h	rev	ision					name	DJG
g	rev	ision					name	DJG
f	rev	ision					name	DJG
e	rev	ision					name	DJG
d	rev	ision					name	DJG
c	rev	ision					name	DJG
b	rev	ision					name	DJG
a	rev	ision					name	DJG
h	rev	ision					name	DJG
g	rev	ision					name	DJG
f	rev	ision					name	DJG
e	rev	ision					name	DJG
d	rev	ision					name	DJG
c	rev	ision					name	DJG
b	rev	ision					name	DJG
a	rev	ision					name	DJG
h	rev	ision					name	DJG
g	rev	ision					name	DJG
f	rev	ision					name	DJG
e	rev	ision					name	DJG
d	rev	ision					name	DJG
c	rev	ision					name	DJG
b	rev	ision					name	DJG
a	rev	ision					name	DJG
h	rev	ision					name	DJG
g	rev	ision					name	DJG
f	rev	ision					name	DJG
e	rev	ision					name	DJG
d	rev	ision					name	DJG
c	rev	ision					name	DJG
b	rev	ision					name	DJG
a	rev	ision					name	DJG
h	rev	ision					name	DJG
g	rev	ision					name	DJG
f	rev	ision					name	DJG
e	rev	ision					name	DJG
d	rev	ision					name	DJG
c	rev	ision					name	DJG
b	rev	ision					name	DJG
a	rev	ision					name	DJG
h	rev	ision					name	DJG
g	rev	ision					name	DJG
f	rev	ision					name	DJG
e	rev	ision					name	DJG
d	rev	ision					name	DJG
c	rev	ision					name	DJG
b	rev	ision					name	DJG
a	rev	ision					name	DJG
h	rev	ision					name	DJG
g	rev	ision					name	DJG
f	rev	ision					name	DJG
e	rev	ision					name	DJG
d	rev	ision					name	DJG
c	rev	ision					name	DJG
b	rev	ision					name	DJG
a	rev	ision					name	DJG
h	rev	ision					name	DJG
g	rev	ision					name	DJG
f	rev	ision					name	DJG
e	rev	ision					name	DJG
d	rev	ision					name	DJG
c	rev	ision					name	DJG
b	rev	ision					name	DJG
a	rev	ision					name	DJG
h	rev	ision					name	DJG
g	rev	ision					name	DJG
f	rev	ision					name	DJG
e	rev	ision					name	DJG
d	rev	ision					name	DJG
c	rev	ision					name	DJG
b	rev	ision					name	DJG
a	rev	ision					name	DJG
h	rev	ision					name	DJG
g	rev	ision					name	DJG
f	rev	ision					name	DJG
e	rev	ision					name	DJG
d	rev	ision					name	DJG
c	rev	ision					name	DJG
b	rev	ision					name	DJG
a	rev	ision					name	DJG
h	rev	ision					name	DJG
g	rev	ision					name	DJG
f	rev	ision					name	DJG
e	rev	ision					name	DJG
d	rev	ision					name	DJG
c	rev	ision					name	DJG
b	rev	ision					name	DJG
a	rev	ision					name	DJG
h	rev	ision					name	DJG
g	rev	ision					name	DJG
f	rev	ision					name	DJG
e	rev	ision					name	DJG