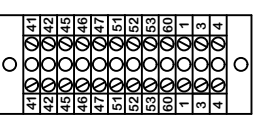
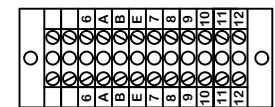
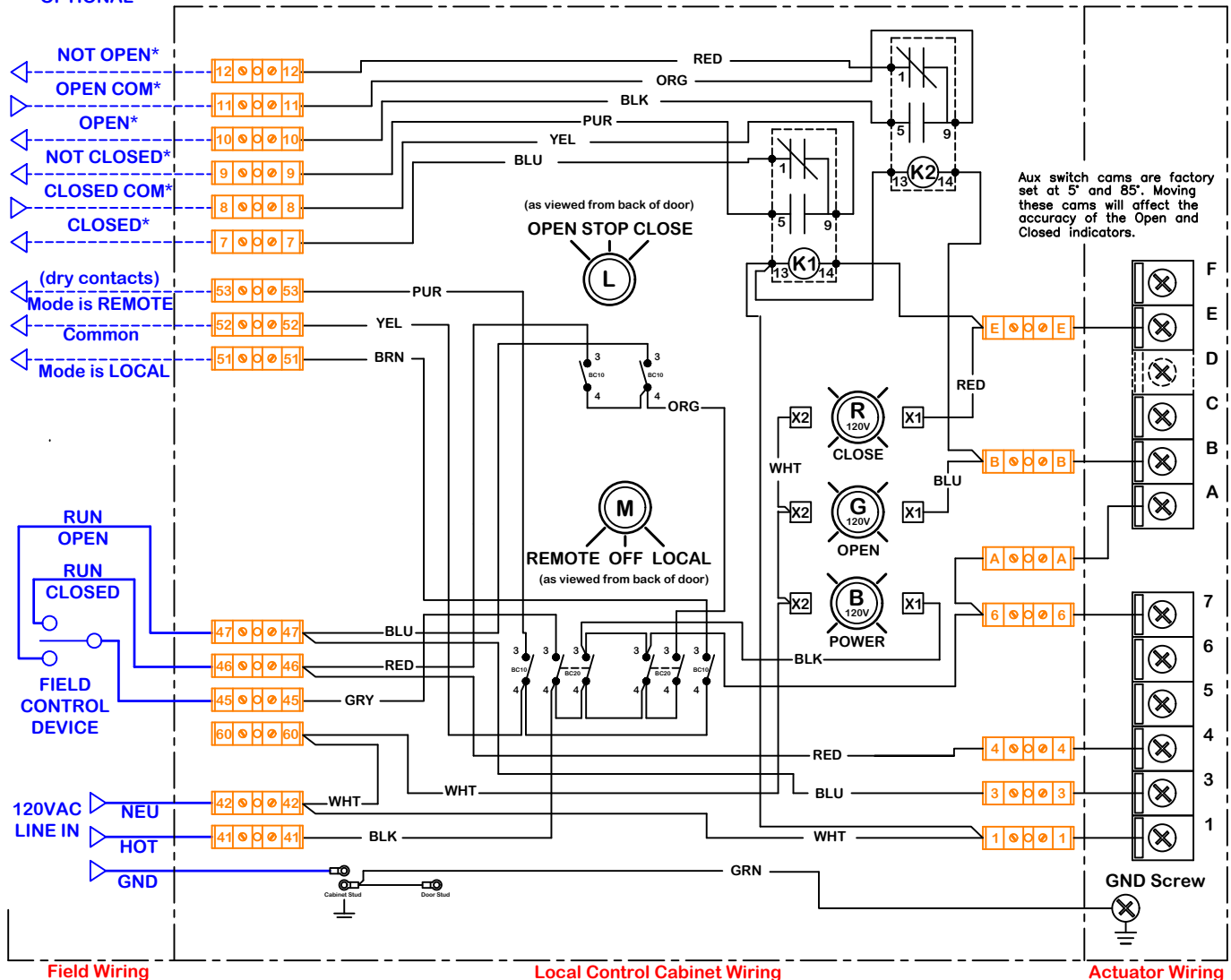


rev	change date	revision	name	5/18/2020 3:06 PM
e	08/24/12	Corrected Term Blk #s	DJC	
d	08/24/12	Formatting and detail edits	KVL	
f				
g				
h				
i				
j				
k				
naming				
material no				
ind				
Wiring Diagram				
material				
Date				
dwn by: BJW 11.10.2011				
scale				
NONE				
ProMation				
WD 875 LD 01 120 DR E				
Writing Diagram for Local Control Station				
P1 Series 120VAC Actuators				
WD 875 LD 01 120 DR E.dwg				
REV				
E				

Description of Operation:

Provides Local/Remote control of 120VAC P1 Series On/Off actuators. Indicator lights are provided as indication of actuator at end of travel. Auxiliary contacts are carried through enclosure to a terminal block for easy access. Dry contact output for remote indication of Local/Off/Remote switch position.

* CONNECTIONS OPTIONAL

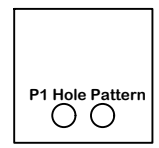
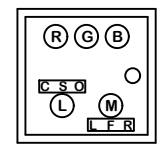


Terminal Block Layout (12X2)

Term Block Filename: Altech 875 LD01120D

Faceplate Filename: 5 hole 5x5 Steel

Enclosure front & back hole patterns



Notes:

**Use this solution for:
P1 & PL Series**

Use For:
OPT LCS LD 01 P/S/F 120 D/R

This document is the property of ProMation Engineering, Inc. Distribution of this document without the written consent of the owner is strictly forbidden. Failure to comply will incur a liability for damages.

ProMation Engineering, Inc.
16138 Flight Path Drive
Brooksville, FL 34604
Ph:352-544-8436 Fx:352-544-8439