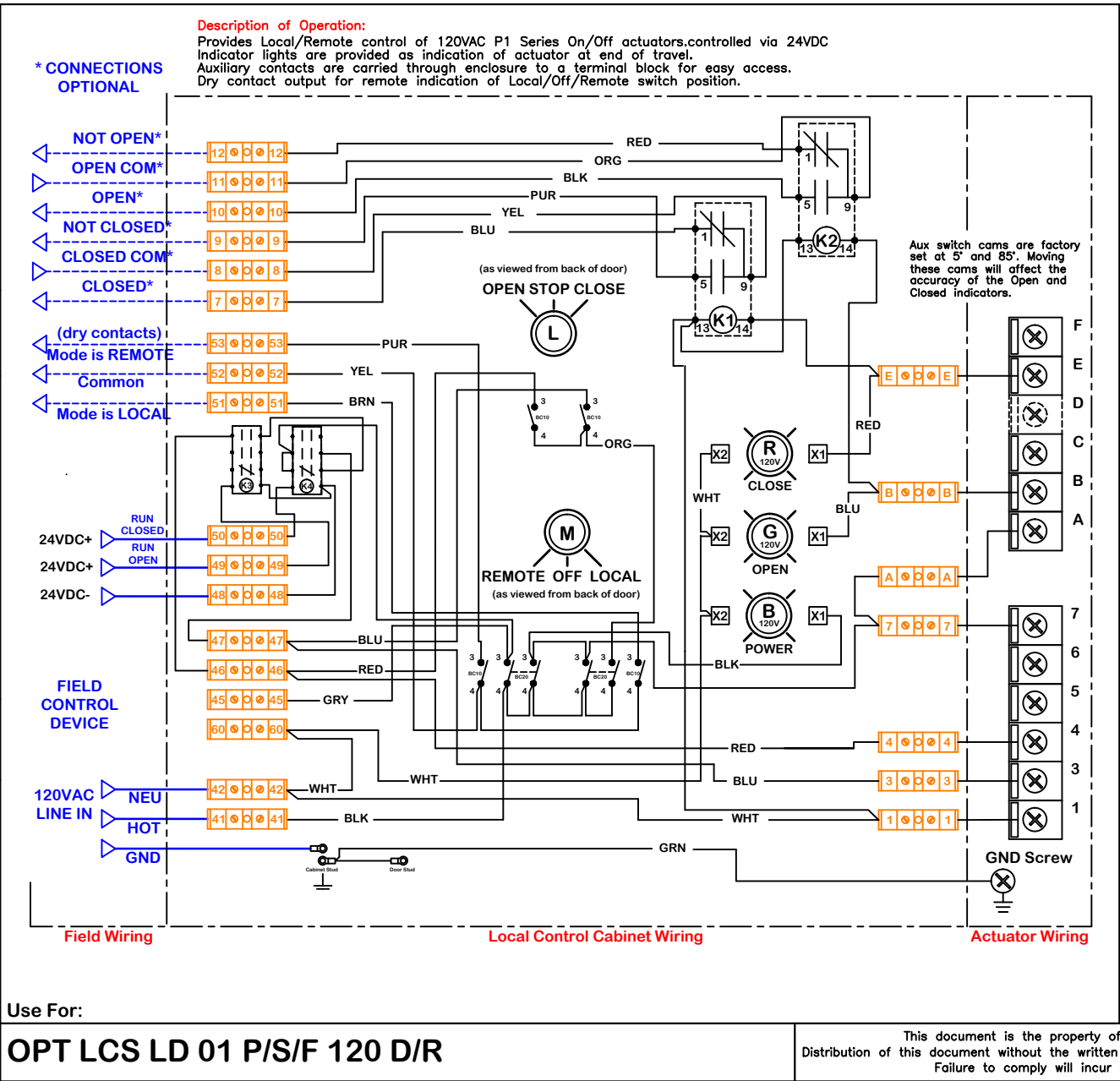


rev	change	date	08/24/12	Forming end detail with	KRL
d					
e					
f					
g					
h					
i					
j					
k					
naming			name		
dwn by:			date		
PMR			09.12.19		
scale			NONE		
material no			ind		
WD 875 LD 01 120W24VDR			Wiring Diagram		
material			material		
Use For:			OPT LCS LD 01 P/S/F 120 D/R		
REV			A		
ProMation Engineering, Inc.			16138 Flight Path Drive		
Brooksville, FL 34604			Ph:352-544-8436 Fx:352-544-8439		



Terminal Block Layout (12X2)

Term Block
 Filename: Altech 875 LD01120D

Faceplate
 Filename: 5 hole 5x5 Steel

Enclosure front & back hole patterns

Door Hole Pattern **Back Hole Pattern**

Notes:

Use this solution for:
P1 & PL Series

This document is the property of ProMation Engineering, Inc. Distribution of this document without the written consent of the owner is strictly forbidden. Failure to comply will incur a liability for damages.