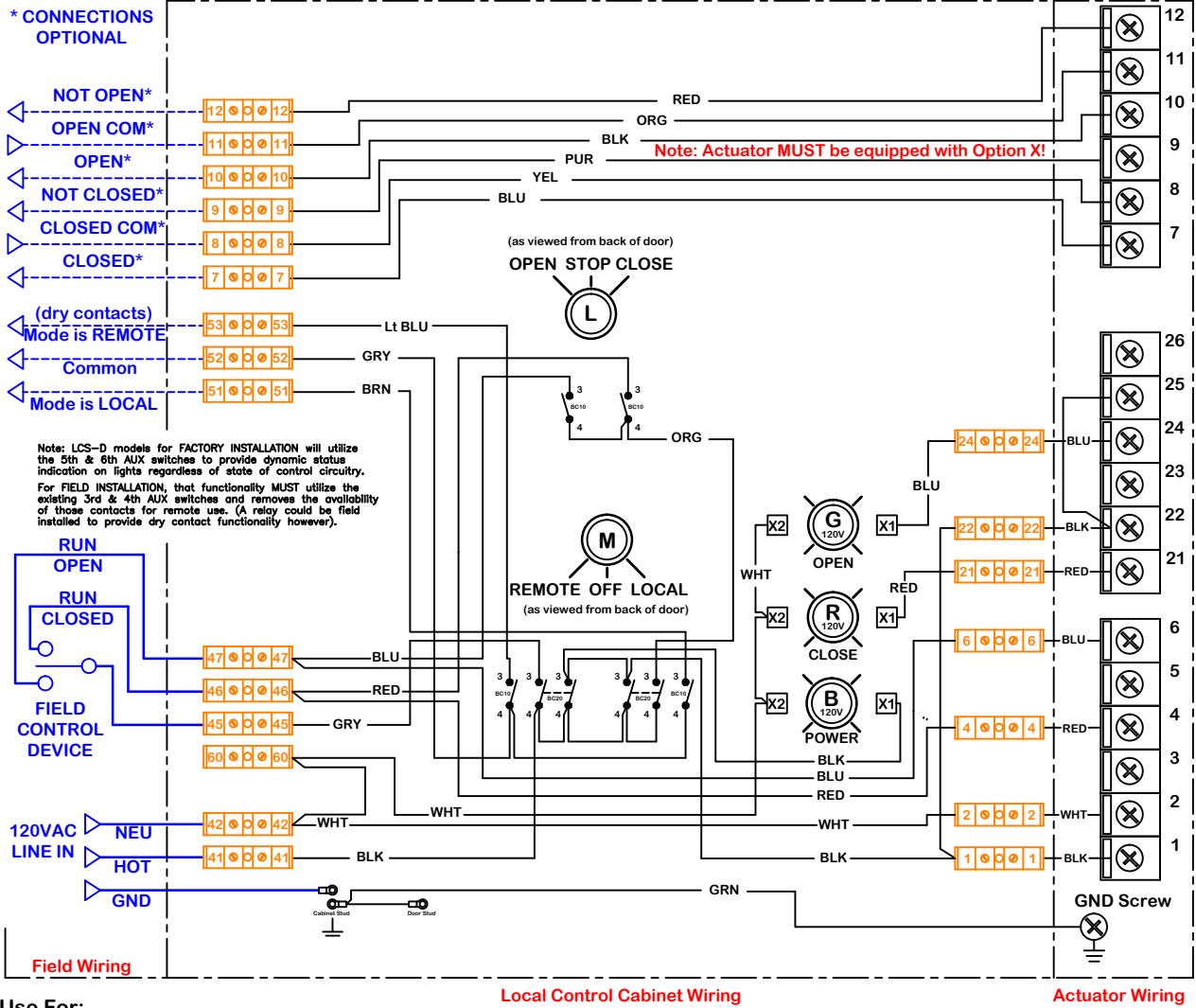


rev	change date	08/24/12	Forming and detail date	nom	9/18/2012 10:10 AM	WD 875 LD 213 120 D.dwg
c						
d						
e						
f						
g						
h						
i						
naming			dwn by: BJW Date: 3.2.2012 scale: NONE material no: ind Writing Diagram			
Promotion P2~13 Series 120VAC Actuators Rev C			Wiring Diagram for Local Control Station WD 875 LD 213 120 D			

Description of Operation:

Provides Local/Remote control of P2~13 Series On/Off actuators. Indicator lights are provided as indication of actuator at end of travel as well as to show Power. Auxiliary contacts are carried through enclosure to a terminal block for easy access. Dry contact output for remote indication of Local/Off/Auto switch position.

Aux switch cams are factory set at 5° and 85°. Moving these cams will affect the accuracy of the Open and Closed indicators.

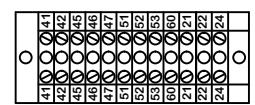
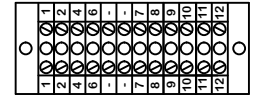


Use For:

Local Control Cabinet Wiring

Actuator Wiring

OPT LCS LD P2~13 P/S/F 120 D/R

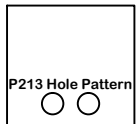
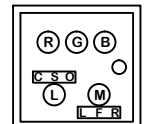


Terminal Block Layout (12x2)

Term Block Filename: Altech 875 LD213120D

Faceplate Filename: 5 hole 5x5 Steel

Enclosure front & back hole patterns



Door Hole Pattern

Back Hole Pattern

Notes:

**Use this solution for:
P2~P13 Series**

Promotion Engineering, Inc.
16138 Flight Path Drive
Brooksville, FL 34604
Ph:352-544-8436 Fx(352-544-8439)

This document is the property of Promotion Engineering, Inc. Distribution of this document without the written consent of the owner is strictly forbidden. Failure to comply will incur a liability for damages.