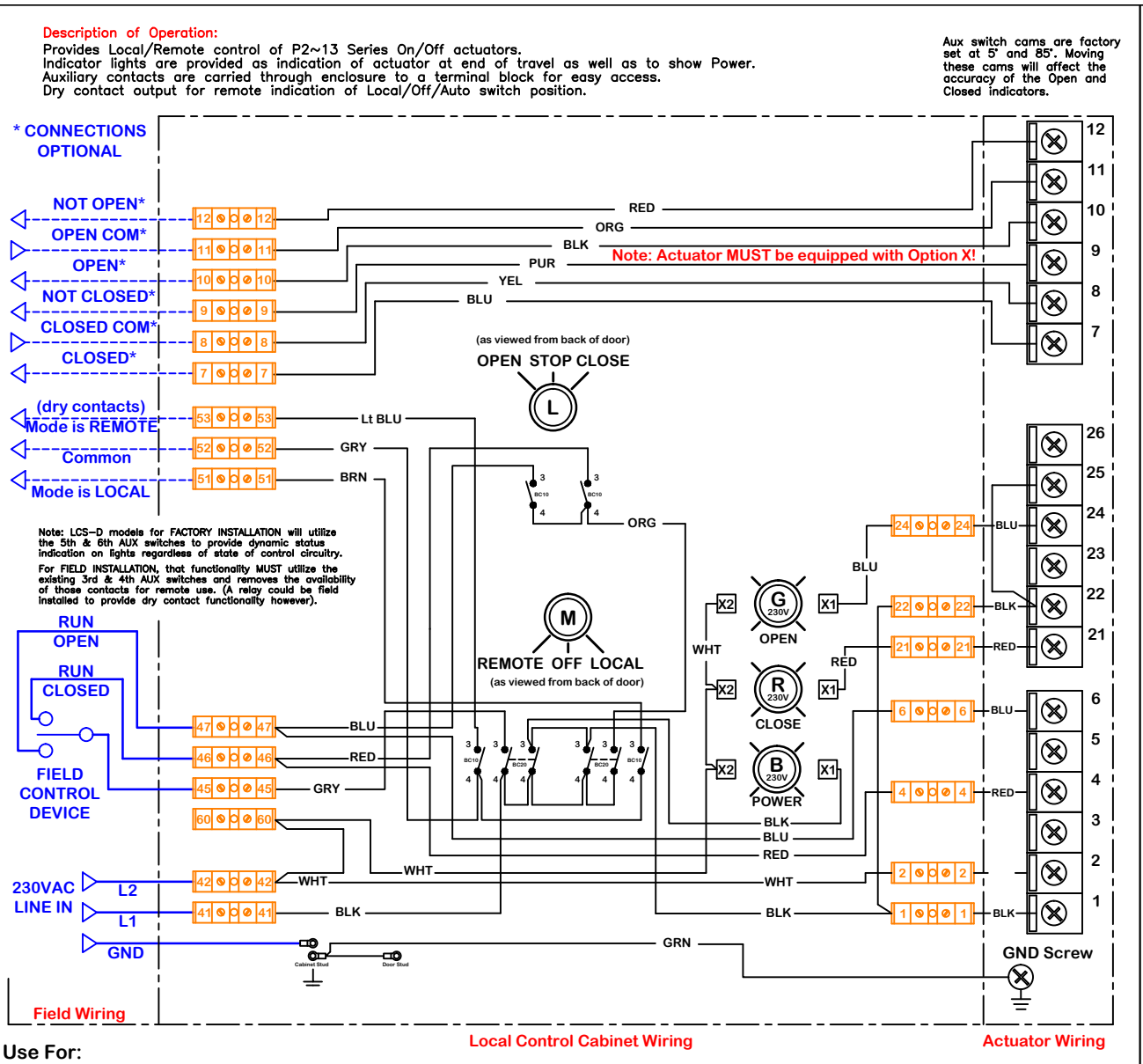


|           |             |                                          |                         |                     |                    |                         |
|-----------|-------------|------------------------------------------|-------------------------|---------------------|--------------------|-------------------------|
| rev       | change date | 08/24/12                                 | Forming and detail edit | name                | 9/18/2012 10:11 AM | WD 875 LD 213 230 D.dwg |
| c         |             |                                          |                         | scale               | NONE               |                         |
| d         |             |                                          |                         | material no         |                    |                         |
| e         |             |                                          |                         | ind                 |                    |                         |
| f         |             |                                          |                         | material            |                    |                         |
| g         |             |                                          |                         | Writing Diagram     |                    |                         |
| h         |             |                                          |                         |                     |                    |                         |
| i         |             |                                          |                         |                     |                    |                         |
| j         |             |                                          |                         |                     |                    |                         |
| naming    |             |                                          |                         |                     |                    |                         |
| dwg by:   |             | BJW                                      |                         | Date: 3.2.2012      |                    |                         |
| KHL       |             |                                          |                         |                     |                    |                         |
| ProMation |             | Wiring Diagram for Local Control Station |                         | WD 875 LD 213 230 D |                    |                         |
| REV C     |             | P2~13 Series 230VAC Actuators            |                         |                     |                    |                         |



**Use this solution for:  
 P2~P13 Series**

ProMation Engineering, Inc.  
 16138 Flight Path Drive  
 Brooksville, FL 34604  
 Ph:352-544-8436 Fx(352-544-8439)

**OPT LCS LD P2~13 P/S/F 230 D/R**

This document is the property of ProMation Engineering, Inc. Distribution of this document without the written consent of the owner is strictly forbidden. Failure to comply will incur a liability for damages.