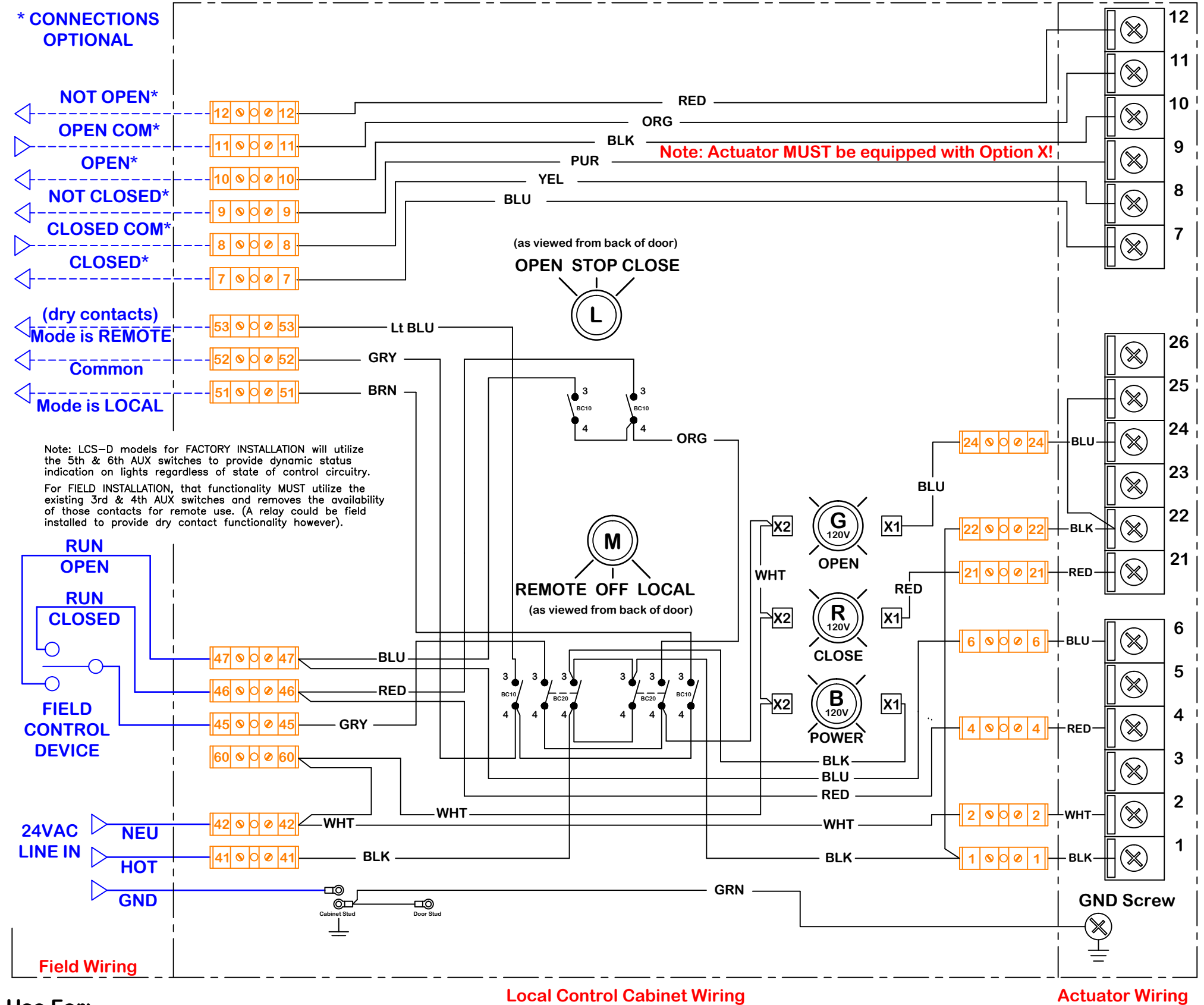


rev	change date	revision	name	scale	material no	ind	Wiring Diagram
c	08.24.12	Formatting and detail edits	KHL				
d	05.31.13	Changed wiring for (N) switching	KHL				
e							
f							
g							
h							
i							
j							
naming				material			
down by:				Date			
BJW				3.2.2012			
5/31/2013 8:18 AM				WD 875 LD 213 24A D.dwg			
WD 875 LD 213 24A D				WD 875 LD 213 24A D			
Wiring Diagram for Local Control Station				Wiring Diagram			
P2~13 Series 24VAC Actuators				P2~13 Series 24VAC Actuators			
REV				D			
ProMation Engineering, Inc.				ProMation Engineering, Inc.			
16138 Flight Path Drive				16138 Flight Path Drive			
Brooksville, FL 34604				Brooksville, FL 34604			
Ph:352-544-8436 Fx(352-544-8439				Ph:352-544-8436 Fx(352-544-8439			

Description of Operation:
 Provides Local/Remote control of P2~13 Series On/Off actuators. Indicator lights are provided as indication of actuator at end of travel as well as to show Power. Auxiliary contacts are carried through enclosure to a terminal block for easy access. Dry contact output for remote indication of Local/Off/Auto switch position.

Aux switch cams are factory set at 5° and 85°. Moving these cams will affect the accuracy of the Open and Closed indicators.



**Use this solution for:
 P2~P13 Series**

This document is the property of ProMation Engineering, Inc. Distribution of this document without the written consent of the owner is strictly forbidden. Failure to comply will incur a liability for damages.