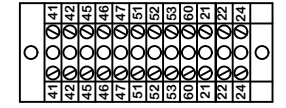
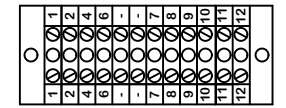
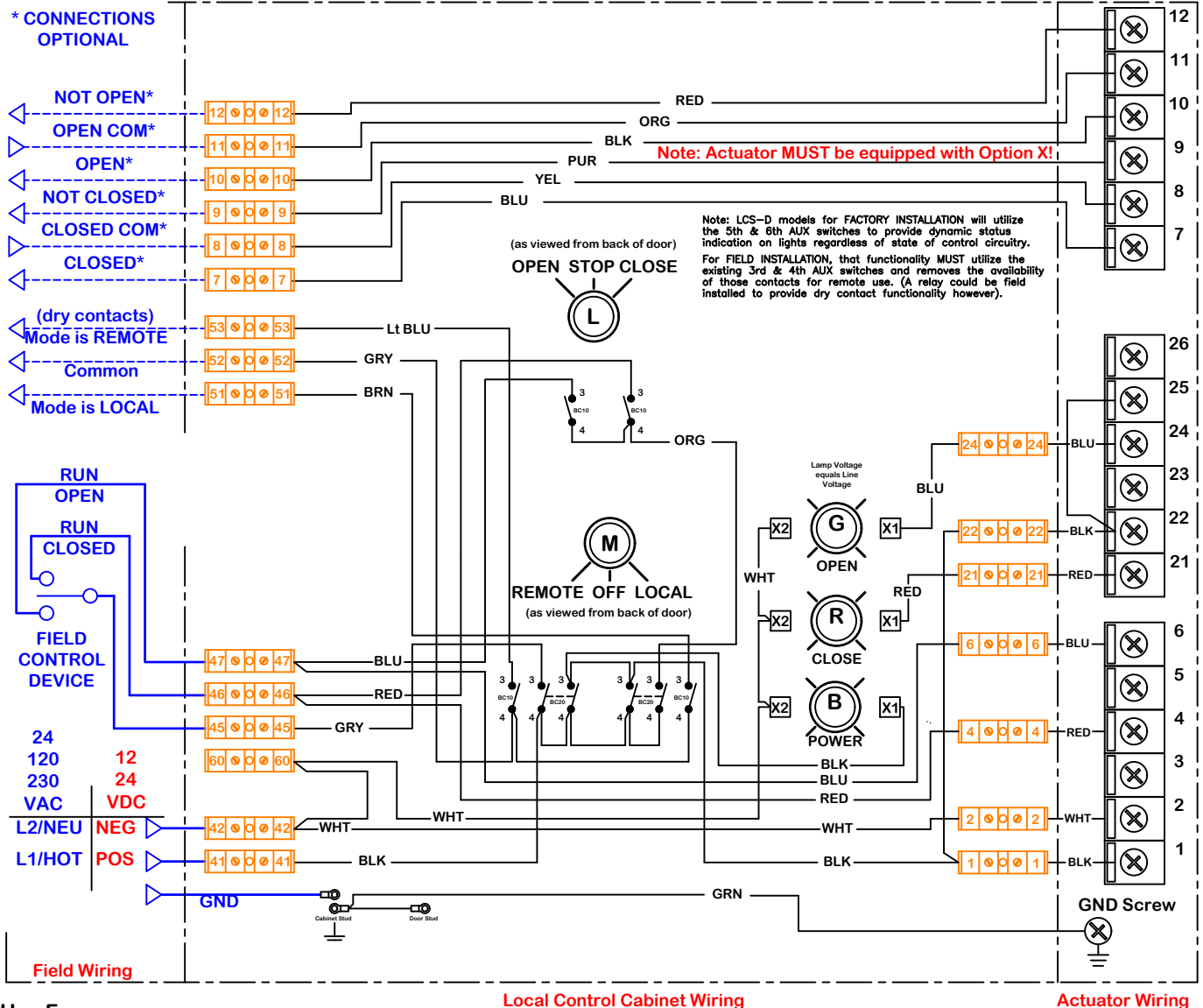


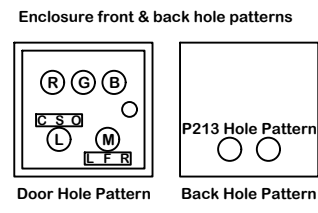
| | | | | | | | | | |
|----------|------------|------------|---|------|----------------|------------------|--------------------------|-----|----------|
| rev | change | date | revision | name | scale | date | material no | ind | material |
| C | 08/24/12 | 08/24/12 | Combined all Voltages for P2+ Formatting and detail edits | KAL | DWG | 8/1/2022 4:49 PM | WD 875 LD 213 LVHV D.dwg | | |
| D | 08/01/2022 | 08/01/2022 | Combined all Voltages for P2+ Formatting and detail edits | DWG | | | | | |
| E | | | | | | | | | |
| F | | | | | | | | | |
| G | | | | | | | | | |
| H | | | | | | | | | |
| I | | | | | | | | | |
| J | | | | | | | | | |
| noming | | | | | material no | | | | |
| dwn by: | | | | | Date | | | | |
| BJW | | | | | 3.2.2012 | | | | |
| ind | | | | | Wiring Diagram | | | | |
| material | | | | | ind | | | | |
| REV | | | | | D | | | | |

Description of Operation:
 Provides Local/Remote control of P2~13 Series On/Off actuators.
 Indicator lights are provided as indication of actuator at end of travel as well as to show Power.
 Auxiliary contacts are carried through enclosure to a terminal block for easy access.
 Dry contact output for remote indication of Local/Off/Auto switch position.

Aux switch cams are factory set at 5° and 85°. Moving these cams will affect the accuracy of the Open and Closed indicators.



Terminal Block Layout (12x2)
 Term Block
 Filename: Altech 875 LD213120D
 Faceplate
 Filename: 5 hole 5x5 Steel



Notes:

Use this solution for:
 P2-8 - 12 & 24 VDC
 24, 120 & 230 VAC
 P9-13 - 120 & 230 VAC

P2~P13 Series

Use For: OPT LCS LD P2~13 P/S/F 12/24VDC - 24/120/230VAC D/R

This document is the property of ProMation Engineering, Inc. Distribution of this document without the written consent of the owner is strictly forbidden. Failure to comply will incur a liability for damages.

ProMation Engineering, Inc.
 16136 Flight Path Drive
 Brooksville, FL 34604
 Ph:352-544-8436 Fx:352-544-8439

ProMation

WD 875 LD 213 LVHV D