

rev change date	e	07/18/17	Completed KI lines 1 and 5	DA6		nomine
	d	08/24/12	Forming and detail work	KAL		nomine
	f					
	g					
	h					
	i					
	j					
	k					
		naming				
		dwn by:		Date		
		BJW		4.9.2012		
		scale		NONE		
		material no		ind		
		Wiring Diagram		material		
		Use For:		OPT LCS LD L24 P/S/F 120 D/R		
		REV		E		
		ProMaton Engineering, Inc.		16138 Flight Path Drive Brooksville, FL 34604 Ph:352-544-8436 Fx:352-544-8439		

**ProMaton**

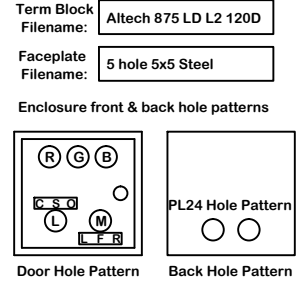
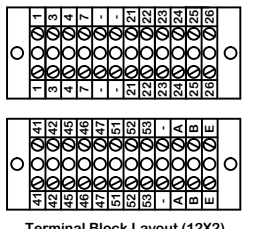
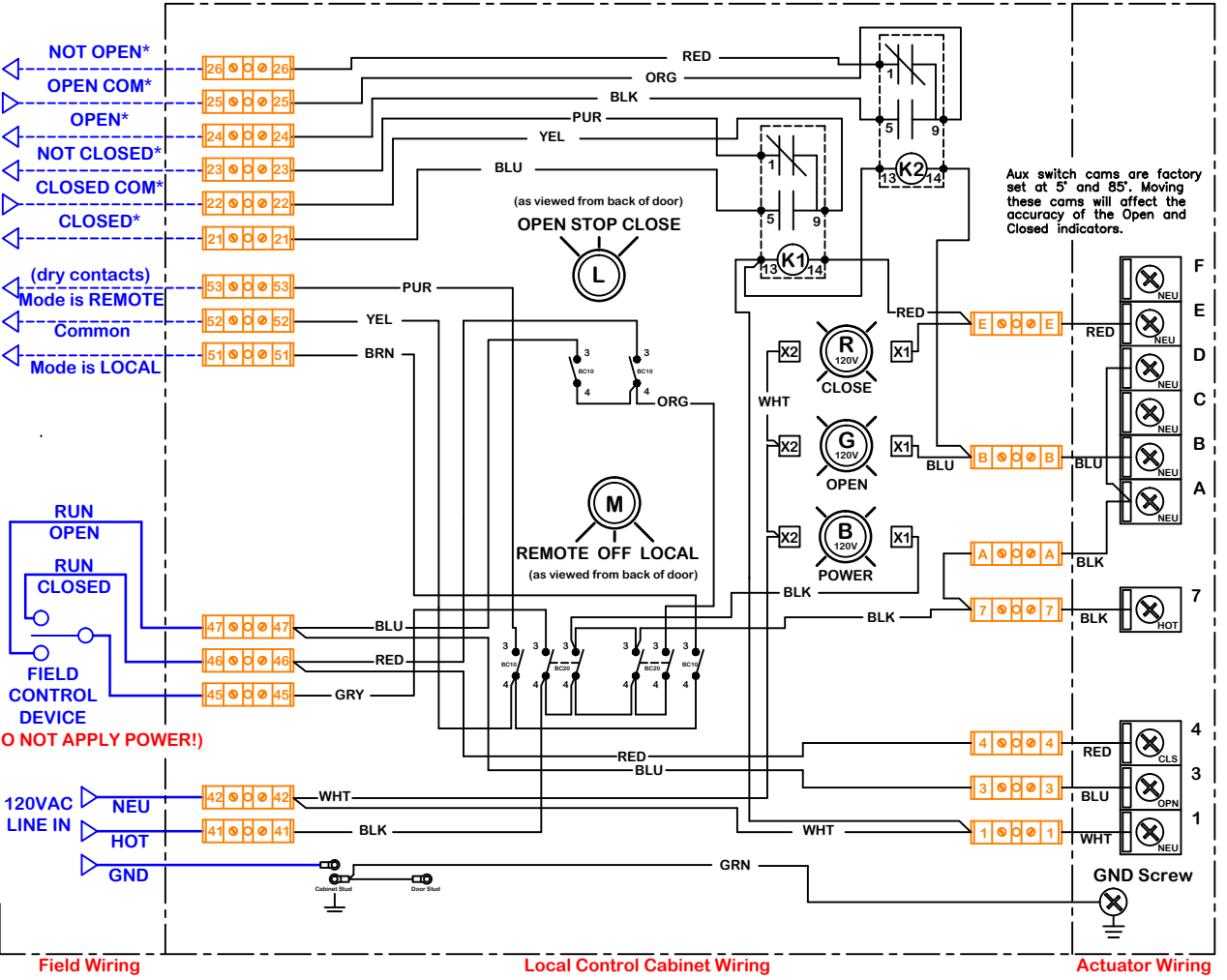
**WD 875 LD L24 120 D**

Wiring Diagram for Local Control Station  
PL2200/4400 Series 120VAC Actuators

**Description of Operation:**

Provides Local/Remote control of 120VAC PL2200/4400 Series On/Off actuators. Indicator lights are provided as indication of actuator REACHING FORCE LIMIT. Form C relay contacts, driven by PL Aux switches, terminate on a terminal block for easy access. Dry contact output for remote indication of Local/Off/Remote switch position.

**\* CONNECTIONS OPTIONAL**



Notes:

**Use this solution for:  
PL2200/4400 Series**

This document is the property of ProMaton Engineering, Inc. Distribution of this document without the written consent of the owner is strictly forbidden. Failure to comply will incur a liability for damages.