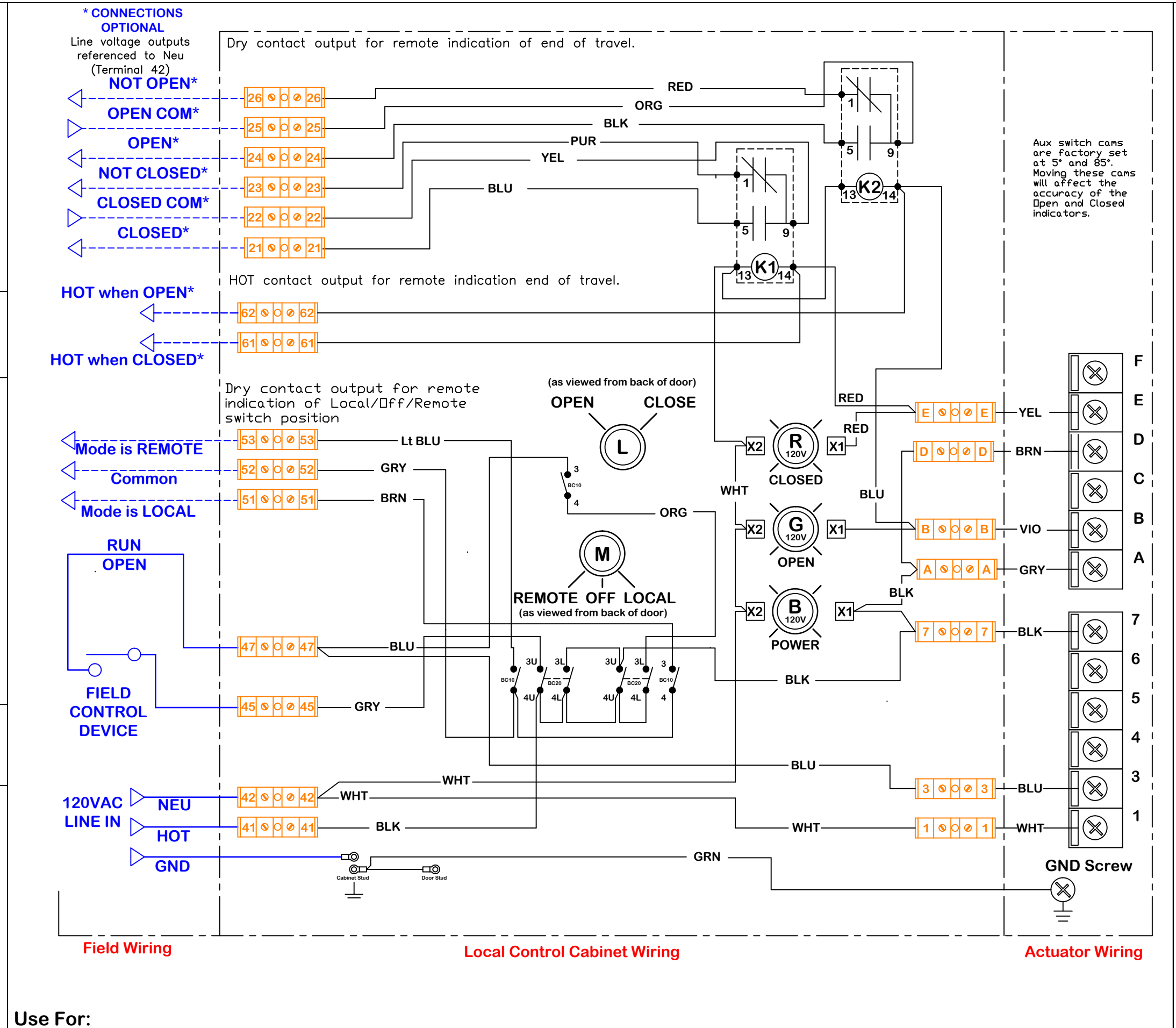


rev	change date	revision	name	7/18/2017 11:46 AM	WD 875 LD PA 120 D.dwg
h	07.17.17	Combine LD L24 and LC PA	DJS		
g					
f					
e					
d					
c					
b					
a					



Terminal Block Layout (12x2)

51	52	53	61	62	21	22	23	24	25	26				
41	42	43	44	45	46	47	1	3	7	A	B	D	E	

Term Block Filename: Altech 875 LD L2 120D
Faceplate Filename: 5 hole 5x5 Steel

Notes:
Door Hole Pattern
Back Hole Pattern
PA Hole Pattern

Use this solution for: PA Series