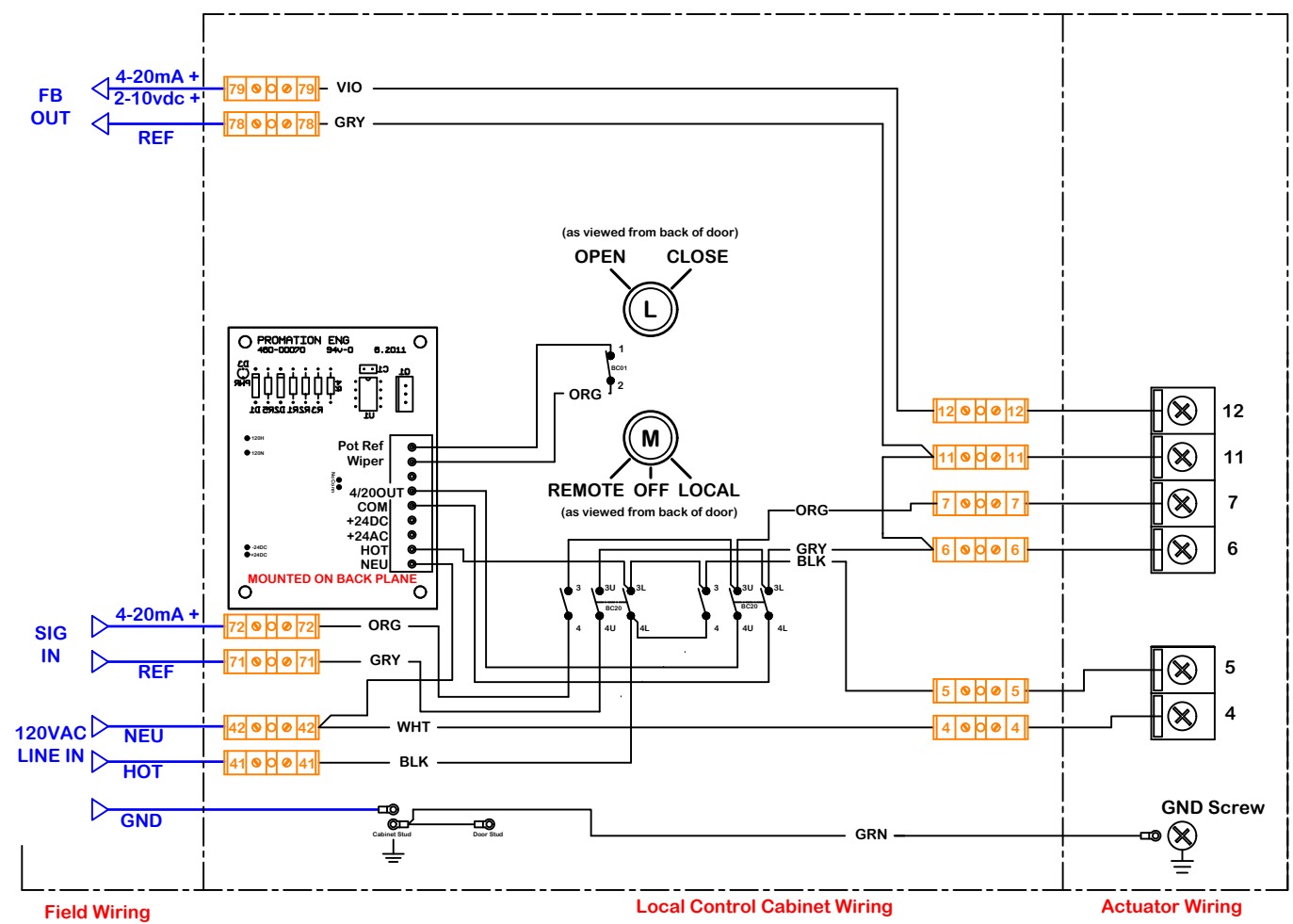


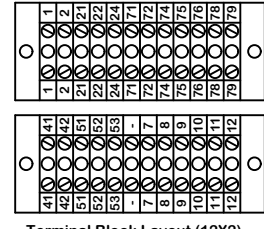
rev	change	date	name	revision	formatting and detail edits	DAE	KHL
d	08/24/12						
e	03/03/22				Corrected generator term ID to match PGB		
f							
g							
h							
i							
j							
k							
naming							
dwn by:				Date			
BJW				3.12.2012			
scale				NONE			
material no				ind			
material				Wiring Diagram			
<h1 style="margin: 0;">ProMation</h1> <p style="margin: 0;">Wiring Diagram for Local Control Station P1 Series 120VAC Modulating Actuators</p>				<h1 style="margin: 0;">WD 875 LE 01 120 DE</h1>			
3/3/2022 1:47 PM							

Description of Operation:

Provides local/remote control of 120VAC P1 Series Proportional control actuators.
Generates a 4 OR 20mA signal from the door switch to position the actuator when in Local Mode.
A 4–20mA feedback signal is passed through the cabinet to the end user.



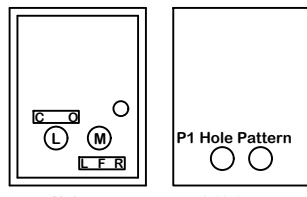
Aux switch cams are factory set at 5° and 85°. Moving these cams will affect the accuracy of the Open and Closed indicators.



Terminal Block Layout (12X2)

Term Block Filename: Altech 875-LE01P120D

FacePlate Filename: 2 hole 5x7 Steel



Door Hole Pattern Back Hole Pattern
Enclosure front & back hole patterns

Notes:
THIS IS AN 8X6X6 ENCLOSURE!

- Specify Control:**
- 4-20mA Control
 - 2-10vdc Control

**Use this solution for:
P1 Series**

Use For:

OPT LCS LE 01 P/S/F 120 D/R

This document is the property of ProMation Engineering, Inc. Distribution of this document without the written consent of the owner is strictly forbidden. Failure to comply will incur a liability for damages.