

rev	change date	revision	name	9/3/2015 11:36 AM	WD 875 LF 01 120 D.DWG
c	08.24.12	Formatting and detail edits	KHL		
d	09.03.2015	Corrected terminal block layout	KHL		
e					
f					
g					
h					
i					
j					
naming				dwn by: BJW	Date: 3.6.2012
material no				scale: NONE	
ind					
material					
Wiring Diagram					
REV				WD 875 LF 01 120 D	
D				Wiring Diagram for Local Control Station P1 Series 120VAC Modulating Actuators	
ProMation Engineering, Inc. 16138 Flight Path Drive Brooksville, FL 34604 Ph:352-544-8436 Fx:352-544-8439				OPT LCS LF 01 P/S/F 120 D/R	

Description of Operation:

Provides local/remote control of P1 Series Proportional control actuators. Auxiliary switches are utilized to drive the indicator lights, as well as the HOT end of travel outputs.. A door mounted switch generates a 4 OR 20mA signal to the actuator when in the LOCAL mode. A 4-20mA feedback signal is passed through the cabinet to the end user.

Aux switch cams are factory set at 5° and 85°. Moving these cams will affect the accuracy of the Open and Closed indicators.

*** CONNECTIONS OPTIONAL**

Line voltage outputs referenced to Neu (Terminal 60)

HOT when OPEN

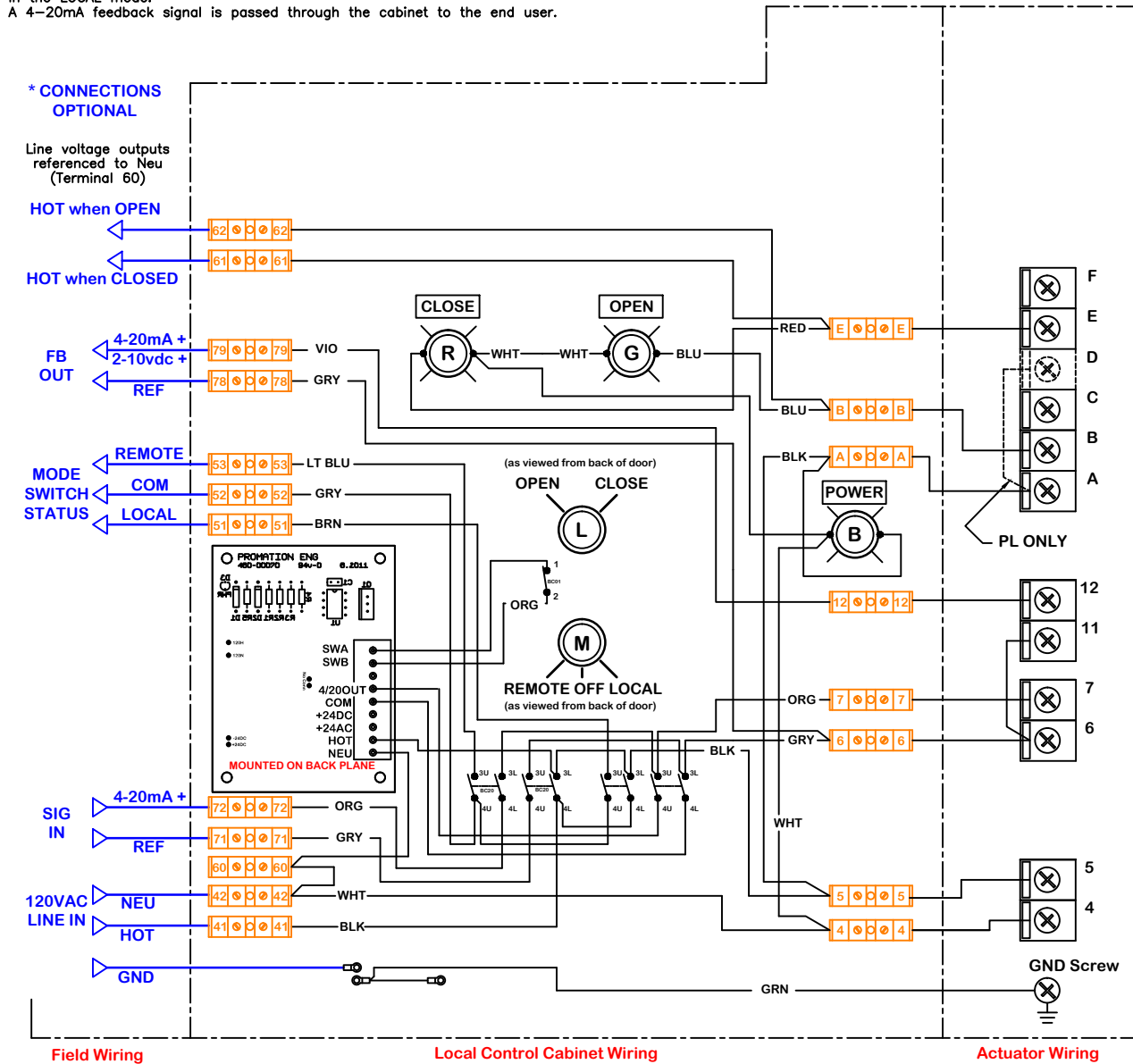
HOT when CLOSED

FB OUT
4-20mA +
2-10vdc +
REF

MODE SWITCH STATUS
REMOTE
COM
LOCAL

SIG IN
4-20mA +
REF

120VAC LINE IN
NEU
HOT
GND



Use For:

OPT LCS LF 01 P/S/F 120 D/R

This document is the property of ProMation Engineering, Inc. Distribution of this document without the written consent of the owner is strictly forbidden. Failure to comply will incur a liability for damages.