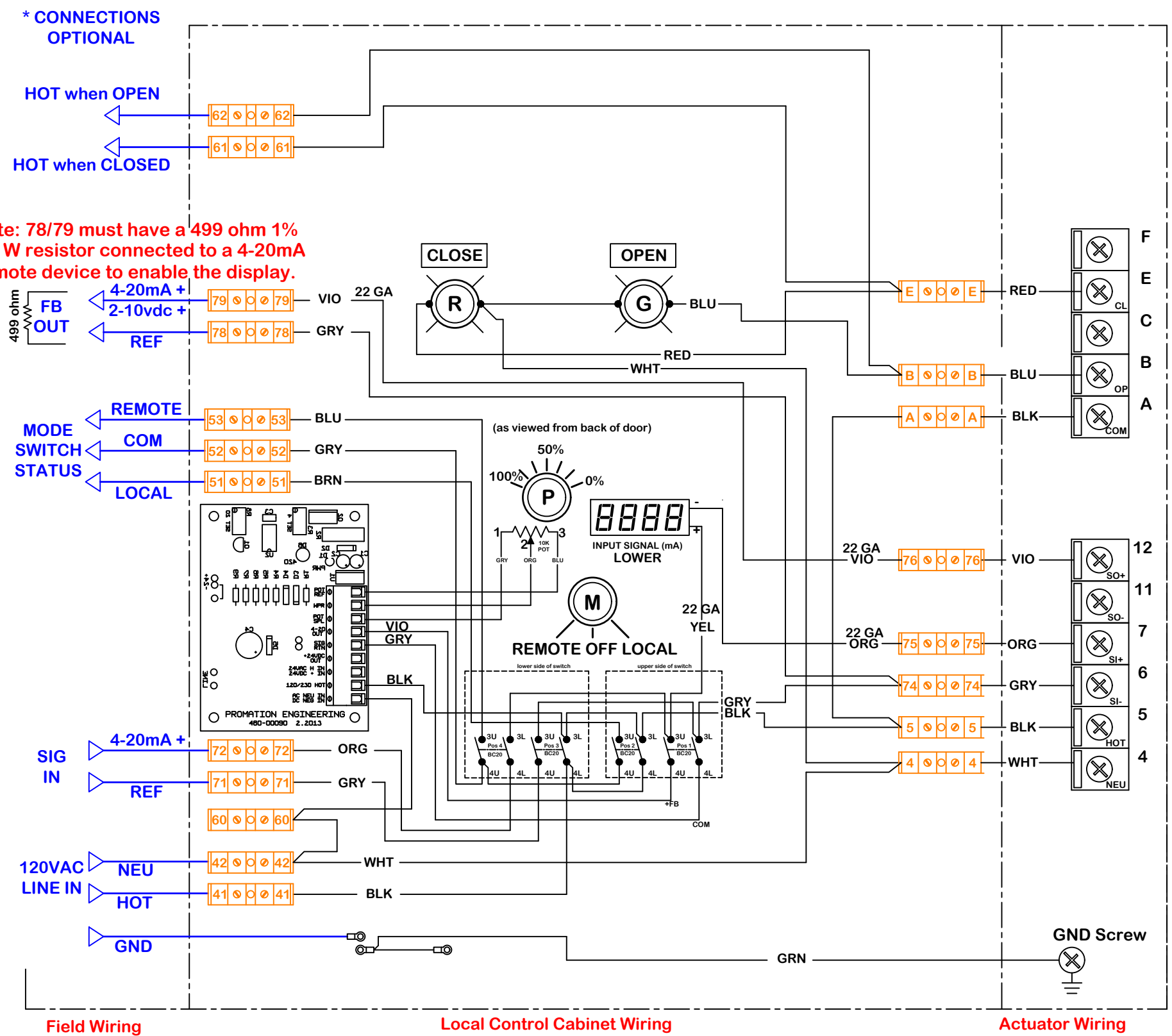


rev	change date	revision	name	6/26/2020 1:58 PM	WD 875 LH 01 120 D.dwg
j	.	revision	name	6/26/2020 1:58 PM	WD 875 LH 01 120 D.dwg
i	.	revision	name	6/26/2020 1:58 PM	WD 875 LH 01 120 D.dwg
h	.	revision	name	6/26/2020 1:58 PM	WD 875 LH 01 120 D.dwg
g	06.26.2020	Added 74,75,75 to terminal block	DJG	10.2.2013	WD 875 LH 01 120 D
f	09.03.2015	Corrected terminal block layout	KHL	10.2.2013	WD 875 LH 01 120 D
e	09.02.2015	Added terminals 61 & 62 for Hot outputs at EOT	KHL	10.2.2013	WD 875 LH 01 120 D
d	12.30.2014	Added Field Wiring and corrected wiring errors, deleted Power light	KHL	10.2.2013	WD 875 LH 01 120 D
c	08.24.12	Formatting and detail edits	KHL	10.2.2013	WD 875 LH 01 120 D

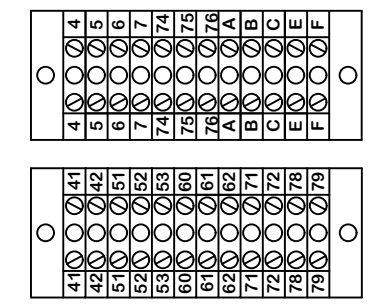
Description of Operation:

Provides local/remote control of P1, PA & PL Series Proportional control actuators. Auxiliary switches are utilized to drive the indicator lights.
 A door mounted potentiometer provides a continuous proportional control to the actuator when in the LOCAL mode.
 A digital display provides visual indication of the INPUT signal driving the actuator, either in manual mode (from pot) or remote mode (BAS control).

Aux switch cams are factory set at 5° and 85°. Moving these cams will affect the accuracy of the Open and Closed indicators.



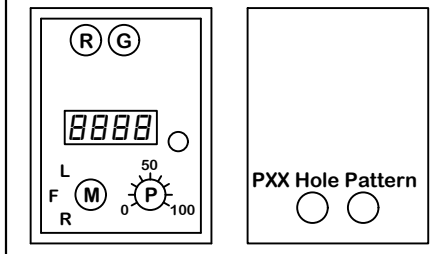
Note: 78/79 must have a 499 ohm 1% 1/4 W resistor connected to a 4-20mA remote device to enable the display.



Terminal Block Layout (12X2)

Term Block Filename: Altech 875 LH01P120D

FacePlate Filename: 4 hole 5x7 SGL display Steel



Door Hole Pattern Back Hole Pattern
Enclosure front & back hole patterns

Notes:
THIS IS AN 8X6X6 ENCLOSURE!

Specify Control:
 4-20mA Control
 2-10vdc Control

**Use this solution for:
P1 Series**

Use For:
OPT LCS LH 01 P/S/F 120 D/R