

rev	change date	revision	name	scale	material no	ind	material	Wiring Diagram
d	08.24.12		KHL	3.1.2012				
e	06.03.15	Updated 4-20 board added wire colors	KHL					
f		Formatting and detail edits	KHL					
g								
h								
i								
j								
k								
naming								
material no								
ind								
material								
Wiring Diagram								

ProMation

WD 875 LI 213 120 D

Wiring Diagram for Local Control Station
P2~13 Series 120VAC Modulating Actuators

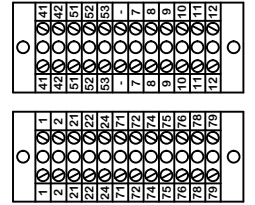
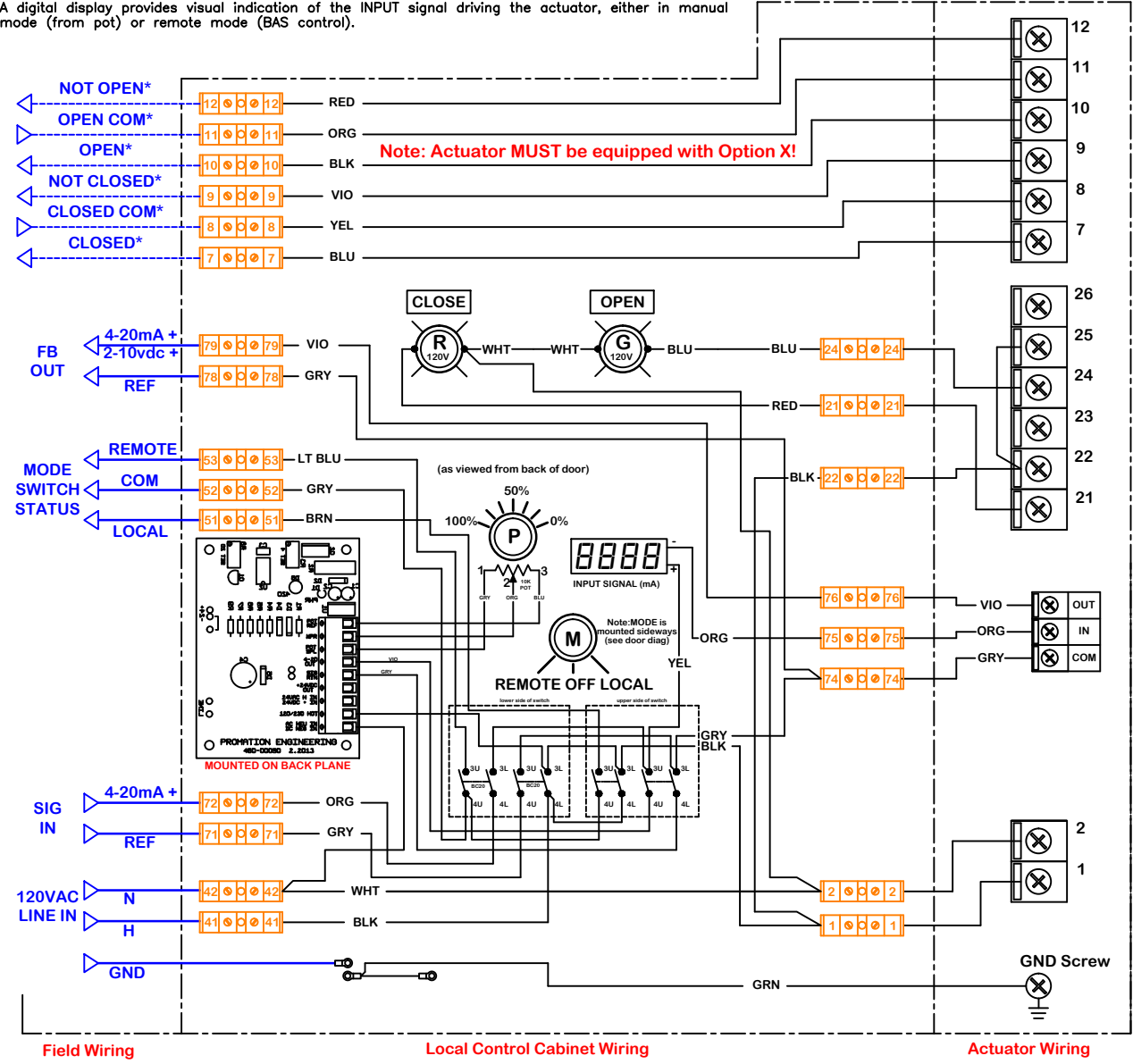
REV **E**

ProMation Engineering, Inc.
16138 Flight Path Drive
Brooksville, FL 34604
Ph:352-544-8436 Fx(352-544-8439

Description of Operation:

Provides local/remote control of 120VAC P2-13 Series Proportional control actuators. Auxiliary switches are utilized to drive the indicator lights.
A door mounted potentiometer provides a continuous proportional control to the actuator when in the LOCAL mode.
A digital display provides visual indication of the INPUT signal driving the actuator, either in manual mode (from pot) or remote mode (BAS control).

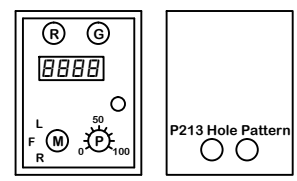
Aux switch cams are factory set at 5° and 85°. Moving these cams will affect the accuracy of the Open and Closed indicators.



Terminal Block Layout (12X2)

Term Block Filename: Altech 875-LI213P120D

FacePlate Filename: 4 hole 5x7 SGL display Steel



Door Hole Pattern Back Hole Pattern
Enclosure front & back hole patterns

Notes:
THIS IS AN 8X6X6 ENCLOSURE!

Specify Control:
 4-20mA Control
 2-10vdc Control

Use this solution for:
P2~13 Series

Use LH for:
P1, PA & PL Series

Use For:
OPT LCS LI 213 P/S/F 120 D/R

This document is the property of ProMation Engineering, Inc. Distribution of this document without the written consent of the owner is strictly forbidden. Failure to comply will incur a liability for damages.