

rev change date	revision	name	material no	Wiring Diagram
08/24/12	08/24/12	KHL		
06/03/15	Updated 4-20 board; added wire colors	KHL		
02/22/16	T 53 wire 17 AWG to YEL	TJM		
10/20/20	Changed Option X term to match changed signal in/out to match PA board	DJG		
naming				
dwn by:		Date		
BJW		3.1.2012		
material				
scale		ind		
NONE				
Wiring Diagram				
material				
Use For:				
OPT LCS LI PA P/S/F 120 D/R				

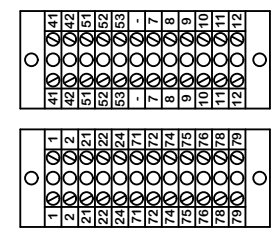
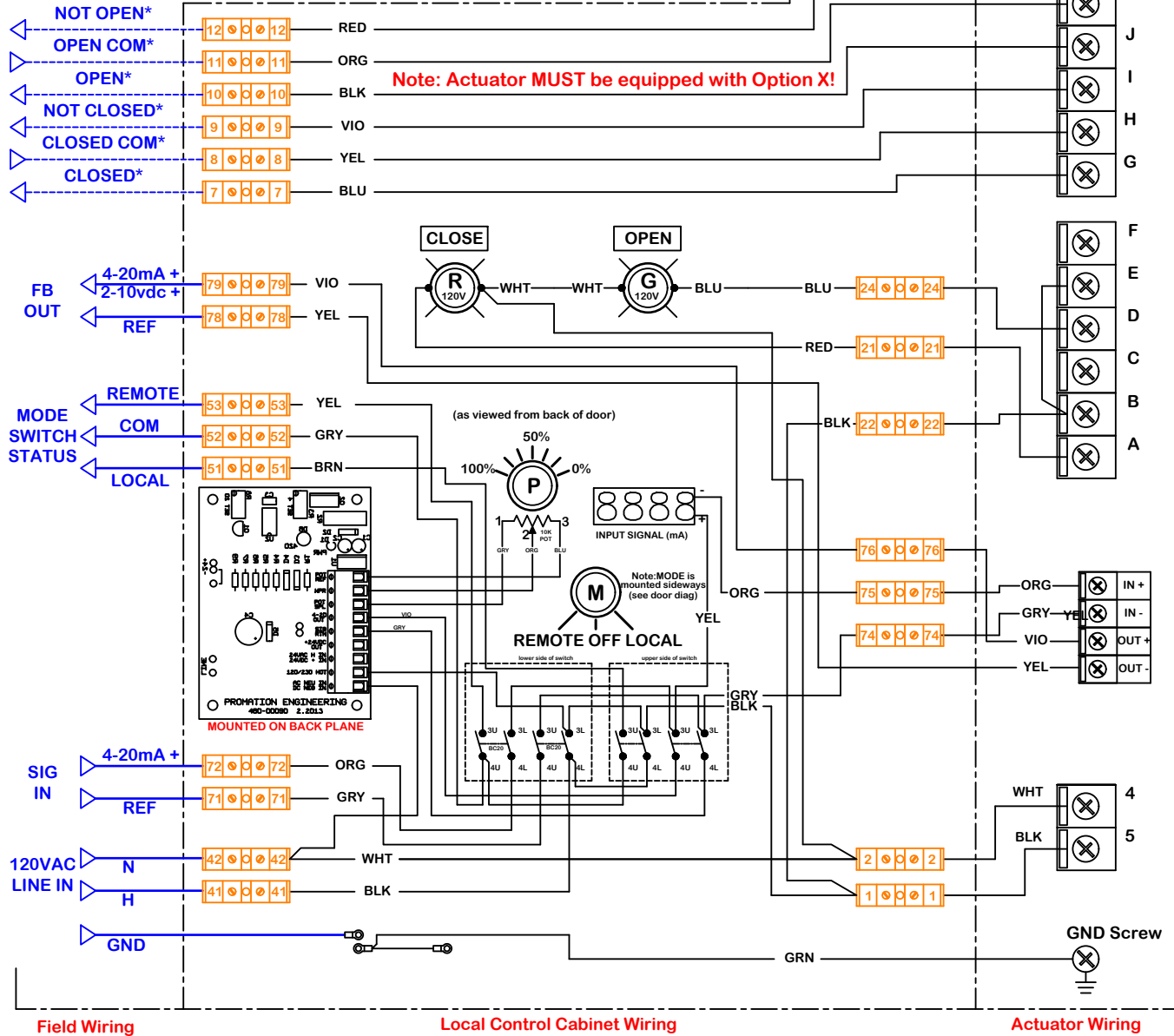
Description of Operation:

Provides local/remote control of 120VAC PA-PD Series Proportional control actuators. Auxiliary switches are utilized to drive the indicator lights.

A door mounted potentiometer provides a continuous proportional control to the actuator when in the LOCAL mode.

A digital display provides visual indication of the INPUT signal driving the actuator, either in manual mode (from pot) or remote mode (BAS control).

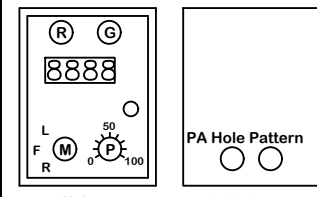
Aux switch cams are factory set at 5° and 85°. Moving these cams will affect the accuracy of the Open and Closed indicators.



Terminal Block Layout (12X2)

Term Block Filename: Altech 875-LI213P120D

FacePlate Filename: 4 hole 5x7 SGL display Steel



Door Hole Pattern Back Hole Pattern Enclosure front & back hole patterns

Notes:

THIS IS AN 8X6X6 ENCLOSURE!

Specify Control:

- 4-20mA Control
- 2-10vdc Control

Use this solution for: PA-PD Series

Use LH for: PA Series