

| | | | | | | | |
|--------|-------------|---|------|-------------------|--|-----|----------|
| rev | change date | revision | name | scale | material no | ind | material |
| | 09.03.2015 | New Document | KHL | 5/23/2023 3:37 PM | WD 875 LJ 01 120 D Rev F.dwg | | |
| d | 02.12.20 | Skipped LED Locations to match front | DJG | | | | |
| e | 08.03.20 | Clarified switch locations and wire colors to switches | DJG | | | | |
| f | 05.23.2023 | Replaced Signal Generator with Clarified switch locations and wire colors to switches | DJG | | | | |
| g | | | | | | | |
| h | | | | | | | |
| i | | | | | | | |
| j | | | | | | | |
| naming | | dwn by: | | Date | material | | |
| | | BJW | | 3.25.2012 | ind | | |
| | | scale | | | Wiring Diagram | | |
| | | NONE | | | | | |
| | | ProMation | | | Wiring Diagram for Local Control Station P1 Series 120VAC Modulating Actuators | | |
| | | REV | | | F | | |
| | | WD 875 LJ 01 120 D Rev F | | | | | |

Description of Operation:

Provides local/remote control of P1, PA & PL Series Proportional control actuators. Auxiliary switches are utilized to drive the indicator lights.

A door mounted potentiometer provides a continuous proportional control to the actuator when in the LOCAL mode.

A digital display provides visual indication of the INPUT signal driving the actuator, either in manual mode (from pot) or remote mode (BAS control).

A second digital display provides visual indication of the FEEDBACK signal from the actuator.

Aux switch cams are factory set at 5° and 85°. Moving these cams will affect the accuracy of the Open and Closed indicators.

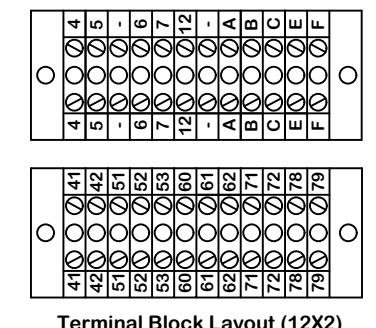
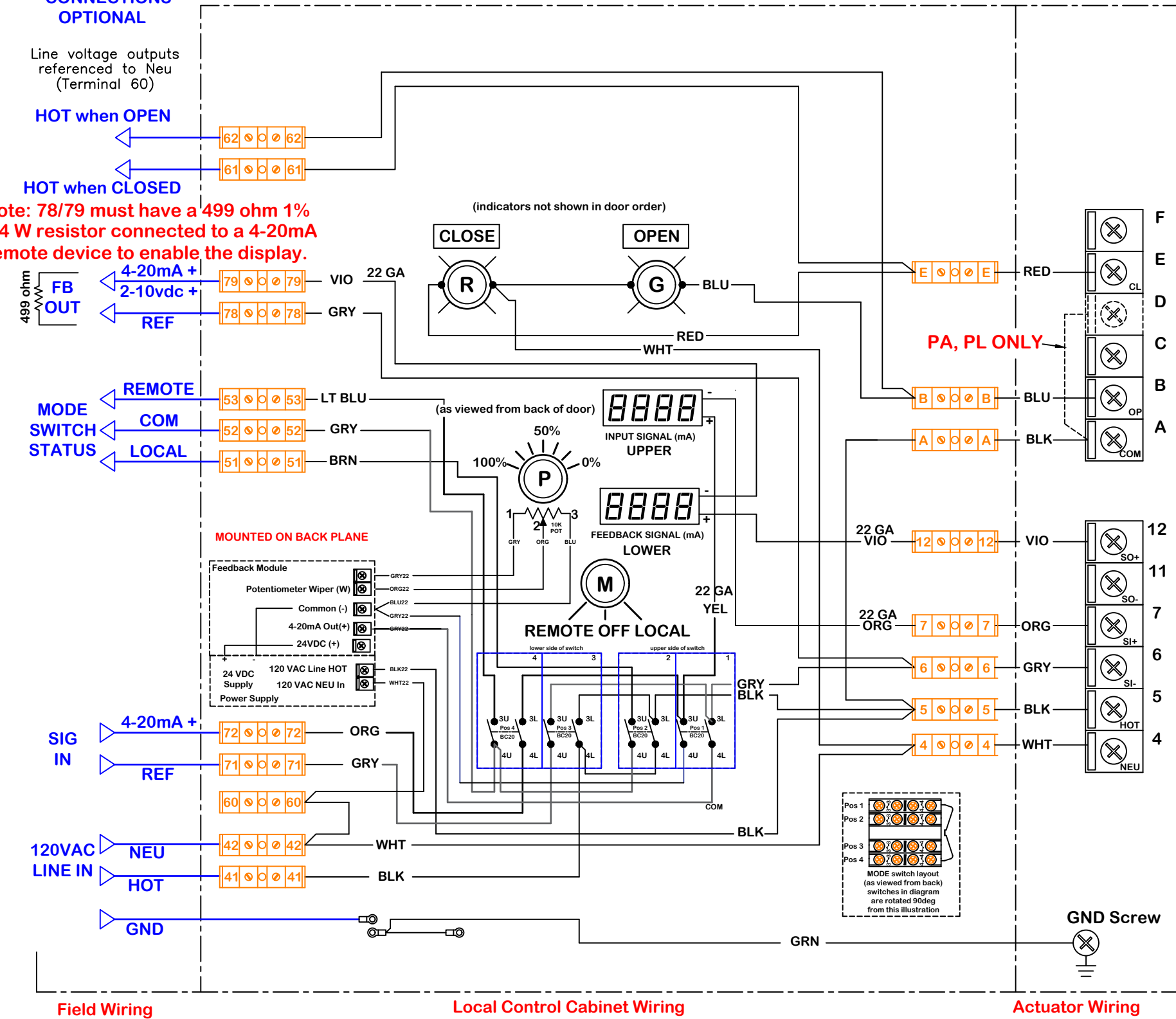
*** CONNECTIONS OPTIONAL**

Line voltage outputs referenced to Neu (Terminal 60)

HOT when OPEN

HOT when CLOSED

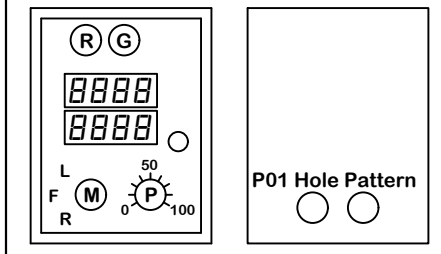
Note: 78/79 must have a 499 ohm 1% 1/4 W resistor connected to a 4-20mA remote device to enable the display.



Terminal Block Layout (12X2)

Term Block Filename: Altech 875 LJ01P120D

FacePlate Filename: 4 hole 5x7 dual display Steel



Door Hole Pattern Back Hole Pattern Enclosure front & back hole patterns

Notes: THIS IS AN 8X6X6 ENCLOSURE!

Specify Control:
 4-20mA Control
 2-10vdc Control

Use this solution for: P1, PA, PL Series

Use For: **OPT LCS LJ 01 P/S/F 120 D/R**