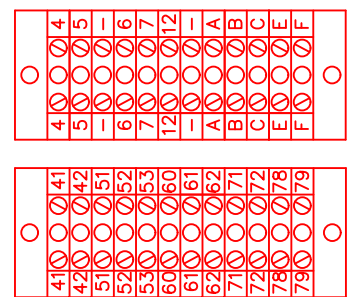


rev	change date	revision	name	7/11/2024 2:13 PM	WD 875 LJ 01 120 D Rev G1.dwg	WD-875-LJ-01-120 Rev H
j	.	namng	name	7/11/2024 2:13 PM	WD 875 LJ 01 120 D Rev G1.dwg	WD-875-LJ-01-120 Rev H
i	.	namng	name	7/11/2024 2:13 PM	WD 875 LJ 01 120 D Rev G1.dwg	WD-875-LJ-01-120 Rev H
h	07.11.24	Corrected input sig to Upper Disp.	date	3.25.2012		
g	07.02.24	Clarified single generator connections and wire colors	scale	NONE		
f	05.23.2023	Replaced Signal Generator with	material no			
e	08.03.20	Clarified switch locations and wire colors to switches	ind			
d	02.12.20	Swapped LED Locations to match front	material			
c	09.03.2015	New Document	Wiring Diagram			

Description of Operation:

Provides local/remote control of P1, PA & PL Series Proportional control actuators. Auxiliary switches are utilized to drive the indicator lights.
 A door mounted potentiometer provides a continuous proportional control to the actuator when in the LOCAL mode.
 A digital display provides visual indication of the INPUT signal driving the actuator, either in manual mode (from pot) or remote mode (BAS control).
 A second digital display provides visual indication of the FEEDBACK signal from the actuator.

Note:
 Aux switch cams are factory set at 5° and 85°. Moving these cams will affect the accuracy of the Open and Closed indicators.



Terminal Block Layout (12X2)

*** CONNECTIONS OPTIONAL**

Note:
 Line voltage outputs referenced to Neu (Terminal 60)

HOT when OPEN

HOT when CLOSED

Note: 78/79 must have a 499 ohm 1% 1/4 W resistor connected to a 4-20mA remote device to enable the display.

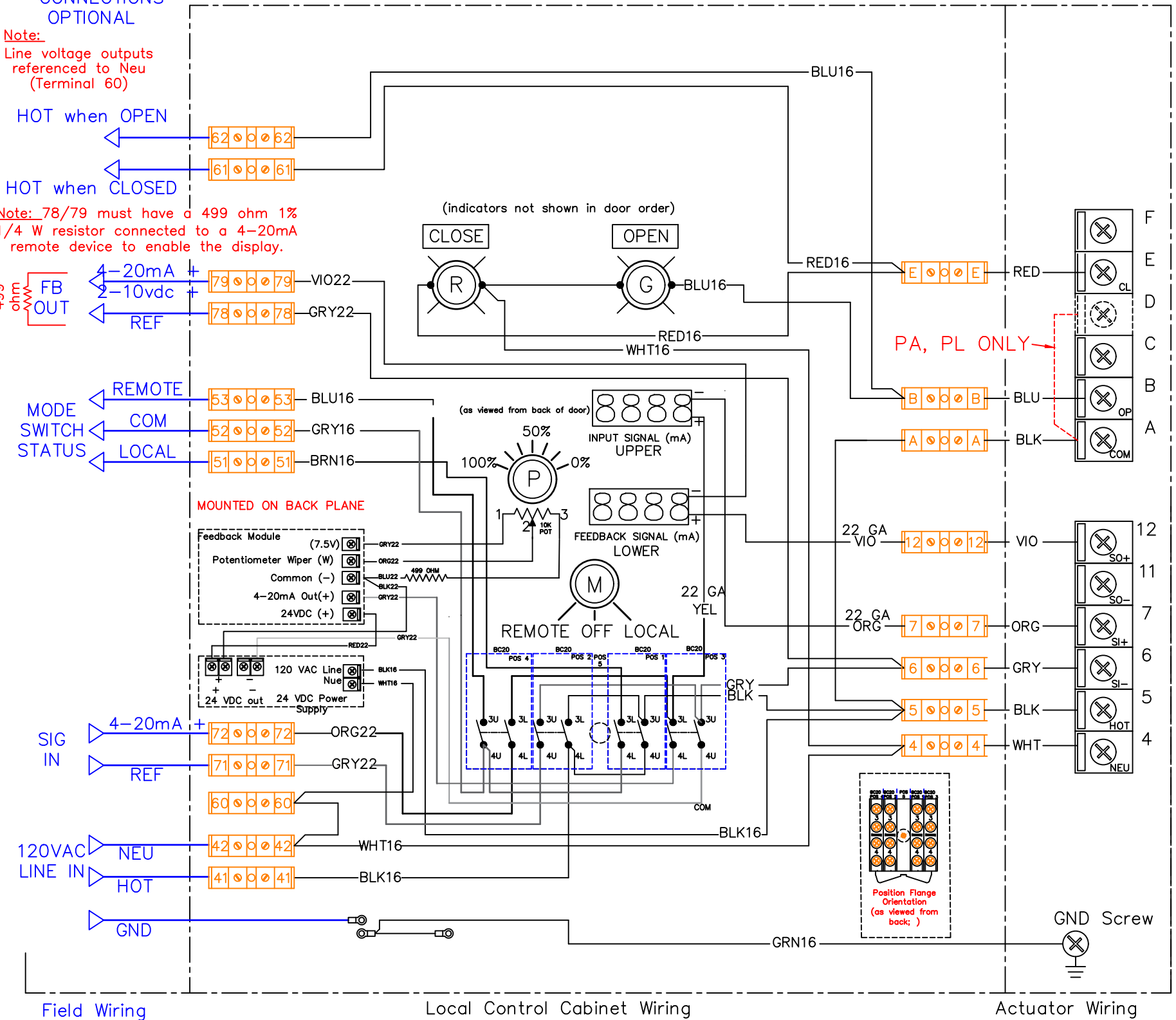
FB OUT

REMOTE
 MODE SWITCH
 STATUS

SIG IN

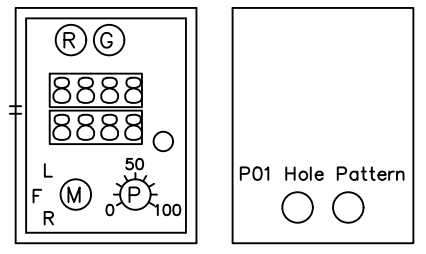
120VAC LINE IN

GND



Term Block Filename: Aitech 875 LJ01P120D

FacePlate Filename: 4 hole 5x7 dual display Steel



Door Hole Pattern Back Hole Pattern Enclosure front & back hole patterns

Note:
 THIS IS AN 8X10X6 ENCLOSURE!

Specify Control:

- 4-20mA Control
- 2-10vdc Control

Use this solution for:
 P1, PA, PL Series