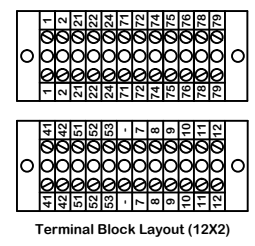
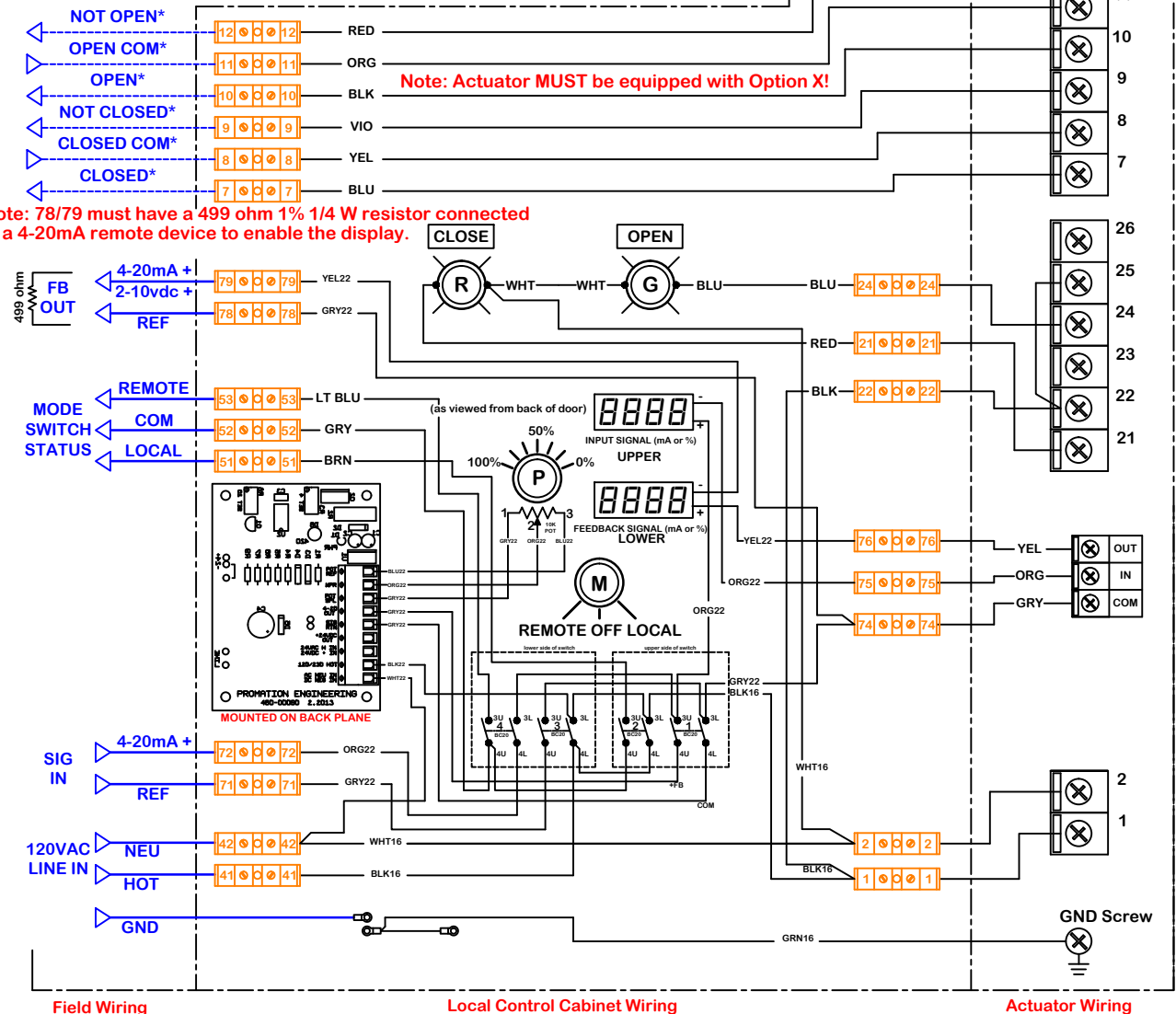


rev	change date	revision	name	date	material no	ind	Wiring Diagram
C	09.03.2015	New Document	KHL	12/11/2017 8:24 AM	WD 875 LK 213 120 D		
D							
E	07.07.2016	Added mA or % options	DUG	9.2.2014			
F	09.03.2015	Swapped upper and lower readout	DUG				
G							
H							
I							
J							
naming				down by:	Date		
				BJW	9.2.2014		
				scale	NONE		
				material no	WD 875 LK 213 120 D		
				ind	Wiring Diagram		
				material			
				REV	F		
				ProMation Engineering, Inc. 16138 Flight Path Drive Brooksville, FL 34604 Ph:352-544-8436 Fx(352-544-8439			

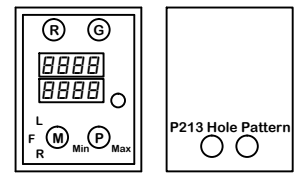
Description of Operation:

Provides local/remote control of P2-13 Series Proportional control actuators. Auxiliary switches are utilized to drive the indicator lights.
 A door mounted potentiometer provides a continuous proportional control to the actuator when in the LOCAL mode.
 A digital display provides visual indication of the INPUT signal driving the actuator, either in manual mode (from pot) or remote mode (BAS control).
 A second digital display provides visual indication of the FEEDBACK signal from the actuator.

Aux switch cams are factory set at 5° and 85°. Moving these cams will affect the accuracy of the Open and Closed indicators.



Term Block Filename: Altech 875 LK213P120D
 FacePlate Filename: 4 hole 5x7 dual display Steel %
 4 hole 5x7 dual display Steel mA
 See Sales Order



Enclosure front & back hole patterns

Notes:
 THIS IS AN 8X6X6 ENCLOSURE!

Specify Control:
 4-20mA Control
 2-10vdc Control

Specify Display
 mA or VDC
 %

Use this solution for:
 P2~13 Series

Use LJ for:
 P1, PA & PL Series

Use For:

OPT LCS LK 213 P/S/F 120 D/R

This document is the property of ProMation Engineering, Inc. Distribution of this document without the written consent of the owner is strictly forbidden. Failure to comply will incur a liability for damages.