

rev change date	C	D	E	F	G	H	I	J	name	revision	change date
	06.03.2015								KHL	New Document	
material no		dwn by:		Date		material no		ind		Wiring Diagram	
WD 875 LK 213 230 R		BJW		9.2.2014		WD 875 LK 213 230 R		ind		Wiring Diagram	
scale		NONE				scale		NONE			
ProMation		Wiring Diagram for Local Control Station		P2~13 Series 120VAC Modulating Actuators		WD 875 LK 213 230 R.dwg		REV		E	

Description of Operation:

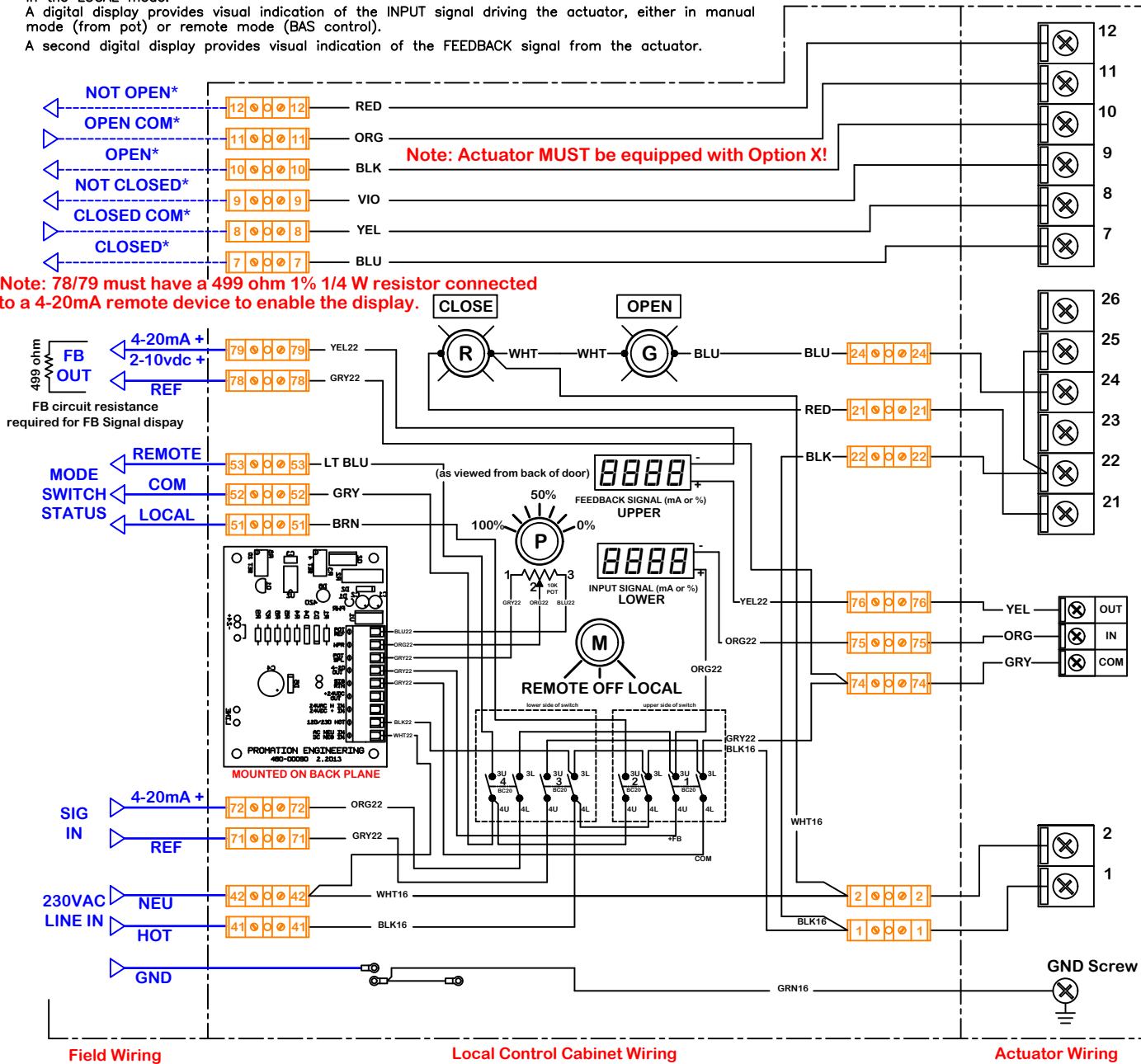
Provides local/remote control of P2~13 Series Proportional control actuators. Auxiliary switches are utilized to drive the indicator lights.

A door mounted potentiometer provides a continuous proportional control to the actuator when in the LOCAL mode.

A digital display provides visual indication of the INPUT signal driving the actuator, either in manual mode (from pot) or remote mode (BAS control).

A second digital display provides visual indication of the FEEDBACK signal from the actuator.

Aux switch cams are factory set at 5° and 85°. Moving these cams will affect the accuracy of the Open and Closed indicators.

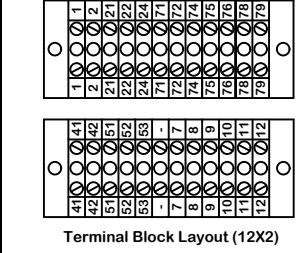


Use For:

OPT LCS LK 213 P/S/F 230D/R

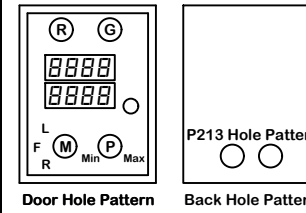
ProMation Engineering, Inc.
16138 Flight Path Drive
Brooksville, FL 34604
Ph:352-544-8436 Fx(352-544-8439

This document is the property of ProMation Engineering, Inc.
Distribution of this document without the written consent of the owner is strictly forbidden.
Failure to comply will incur a liability for damages.



Term Block Filename: Altech 875 LK213P120D

FacePlate Filename: 4 hole 5x7 dual display Steel %, 4 hole 5x7 dual display Steel mA, See Sales Order



Notes:
THIS IS AN 8X6X6 ENCLOSURE!

Specify Control:
 4-20mA Control
 2-10vdc Control

Specify Display:
 mA or VDC
 %

Use this solution for:
P2~13 Series
Use LJ for:
P1, PA & PL Series