



PROMATION ENGINEERING

Precision Actuation for Industry

Auxiliary Switches

Two additional switches
for indication or control

Two extra actuator position controlled switches to any system add flexibility and increase performance

For On/Off/Jog P1 through P13 series quarter-turn actuators 120V, 230V installations and select 24V installations.

Auxiliary Switch Kit installed on P7 Series Actuator

Cam Controlled - Two additional cams installed above the auxiliary cams. Cams may be set to any position in the 90 degree travel of the actuator. This gives additional options for control programming or for control of external devices.

Precision SPDT Switches - Dry contact switches rated at 10A @ 250vac maximum greatly simplify remote sensing as most common voltage indicators are supported.

Three Phase Control - ProMation Engineering three phase products with Motor Control Centers (MCC) require the additional auxiliary switches for indicator lamps in the MCC.

Factory Installed - Soldered, not crimped, directly on a ProMation Ruggedboard switch card, mounted on a steel bracket, and securely attached to the geartrain motor plate. Must be installed at the time of initial order, they cannot be field installed.

Switch Details

Features:

- Provides additional integrated indication solution
- Provides for external control
- Can be set for any point in the 90 degree arc of travel

OR

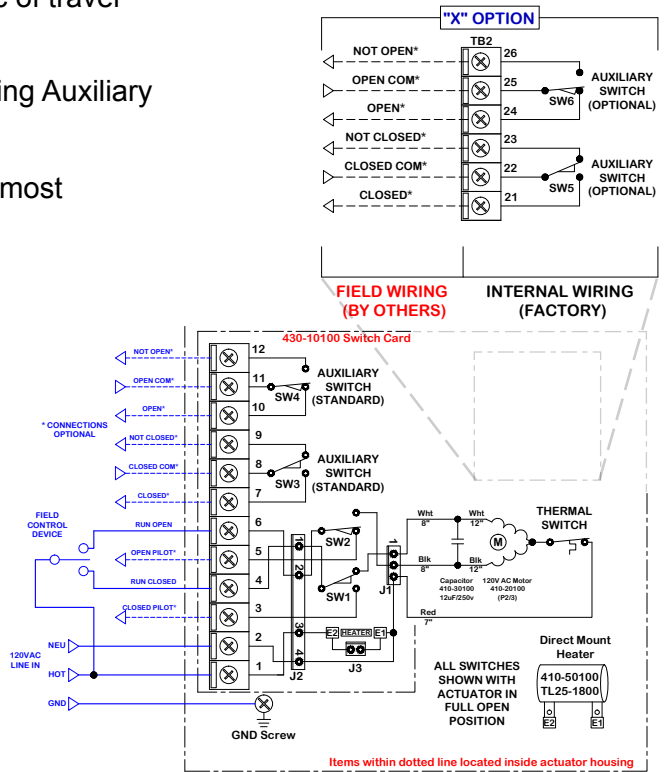
- Can be set to the same position as the existing Auxiliary Cams
- Rated 10A @ 250VAC maximum to support most commonly used controls or indicators



Additional Auxiliary Switches on Ruggedboard switch card

SAMPLE DIAGRAM

Refer to the proper IOM for your actuator for the correct wiring diagram or visit www.promation.com.



Wiring diagram for P2 actuator with 2 extra auxiliary switches.

For Product Family	Available for:	Actuator Voltage	Order Information
P2-8 24-AC	On/Off/Jog, PN4, VN4	24vac	OPT-X-P28
P2-8 24-DC	On/Off/Jog	120vac, 230vac	OPT-X-P28
P2-13 120/230	On/Off/Jog	120vac, 230vac	OPT-X-P213
P2-13 3 Phase	On/Off/Jog	120vac	OPT-X-P213



PROMATION ENGINEERING
Precision Actuation for Industry

16138 Flight Path Drive
Brooksville, FL 34604
Phone (352) 544-8436 Fax (352) 544-8439
email: sales@promationei.com



Use your smart phone barcode scanner app here.