

PROMATION ENGINEERING

Precision Actuation for Industry

125VDC Motors 75% Duty Cycle Actuators



High Voltage DC motors increase performance and reliability through longer run times

For On/Off/Jog P2 through P6 series quarter-turn actuators for 125vdc installations.

P456 125N4-DC
75% Duty Cycle for the torque range 3,500-5,750 in lbs (400-650Nm).

DC Motors - Cool running DC motors provide 75% duty cycle for P Series P2~6 actuators, while standard P2~6 actuators have a rated 25% duty cycle at ambient temperatures.

Controller - ProMation Engineering high voltage DC controller features solid state switching.

Factory Installed - 125vdc motors and control boards must be specified and installed at the time of initial order, they cannot be field retrofitted.

125N4-DC Options

Features:

- 75% duty cycle for 125vdc models P2~6.
- DC motor adds less heat to the interior of the enclosure.
- Compatible with cold weather kits and thermostat kits.
- Available with or without PCB conformal coating.
- Enclosures options include nylon or epoxy coated, stainless steel, and IP68.

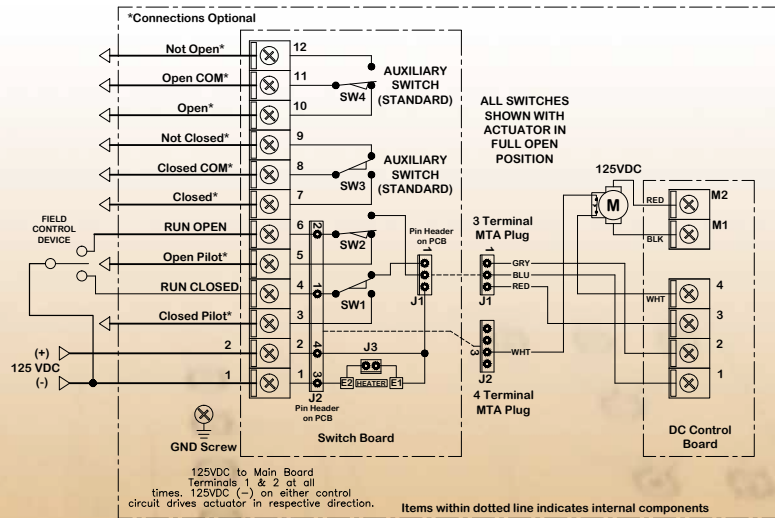
SAMPLE DIAGRAM

Refer to the proper IOM for your actuator for the correct wiring diagram or visit www.promationei.com.

Not all options are available for all models or in conjunction with other options. Call ProMation for more information.



Control Board supplies power and control to the 125vdc motor.



Wiring diagram for P4-125N4-DC actuator.

125VDC On/Off/Jog Actuators

For Product Family	Max Torque NM	In Lbs	Duty Cycle	Speed 90°	Motor Power	Run Amps	Start Amps	Lock Amps
P2-125N4-DC	90	800	75%	17s	40W	0.4A	6A	4.5A
P3-125N4-DC	150	1,335	75%	27s	40W	0.4A	6A	4.5A
P4-125N4-DC	400	3,500	75%	25s	80W	1A	7.5A	6.2A
P5-125N4-DC	500	4,400	75%	35s	80W	1A	7.5A	6.2A
P6-125N4-DC	650	5,750	75%	52s	80W	1.1A	7.5A	6.2A

Speed and Current Draws tested under full load



PROMATION ENGINEERING
Precision Actuation for Industry

16138 Flight Path Drive
Brooksville, FL 34604
Phone (352) 544-8436 Fax (352) 544-8439
email: sales@promationei.com



Use your smart phone barcode scanner app here.