



PROMATION ENGINEERING

Precision Actuation for Industry

Data Sheet

UL(C-F) Series

On/Off/Jog/Proportional/Modbus
Hazardous Location Class 1 Division II
5211 F07/F10 8P27mm Drive

Multiple Field Selectable Control Configurations

- 2 wire On/Off/Jog
- Single wire On/Off
- Three Position
- Proportional
 - 4-20mA
 - 2-10VDC
 - 1-5VDC
- MODBUS RTU/TCP

Front Panel LED Status Display

Supercapacitor Option for Loss of Power Positioning

Torque Range from
400 to 5000 in lbs
68 to 565 Nm



Hazardous Location Certified
Class 1 Division II
Groups A, B, C, D



Specifications	ULC		ULD		ULE		ULF	
Torque "lb/Nm	600"lbs/68Nm		1200"lbs/136Nm		2500"lbs/282Nm		5000"lbs/565Nm	
Supply Voltage	24vac/vdc	100 - 240vac	24vac/vdc	100 - 240vac	24vac/vdc	100 - 240vac	24vac/vdc	100 - 240vac
Max Run Current	3.3A	0.65A	3.3A	0.65A	3.3A	0.65A	3.3A	0.65A
Standby Current Draw	0.47A	0.14A	0.47A	0.14A	0.47A	0.14A	0.47A	0.14A
Motor	Fully Enclosed Stepper Motor							
Runtime (90°)	3-10 sec		7-20 sec		12-36 sec		27-85 sec	
Duty Cycle	100%							
Motor Starts	6000 per hour							
Weight (lbs/kg)	26 / 11.8		26 / 11.8		27 / 12.3		28 / 12.7	
Mechanical Connections	ISO5211 F07 F10							
Electrical Entry	1/2" NPT							
Line Terminations	12-16ga							
Environmental Rating	Hazardous Location Class 1 Division II Groups A, B, C, D - NEMA 4							
Control (Field Selectable)	2 wire On/Off/Jog, Single wire On/Off, Three Position, Proportional, MODBUS RTU/TCP							
Loss of Power	Field Programmable Motor Drive to Safe Position							
Actuator Case Material	Aluminum Alloy, Powder coated							
Multiturn	Multiturn Capability							
Ambient Temperature Operating Range	-40°F to +140°F -40°C to +60°C							

SD_UAF_HV_Ver1B.031324

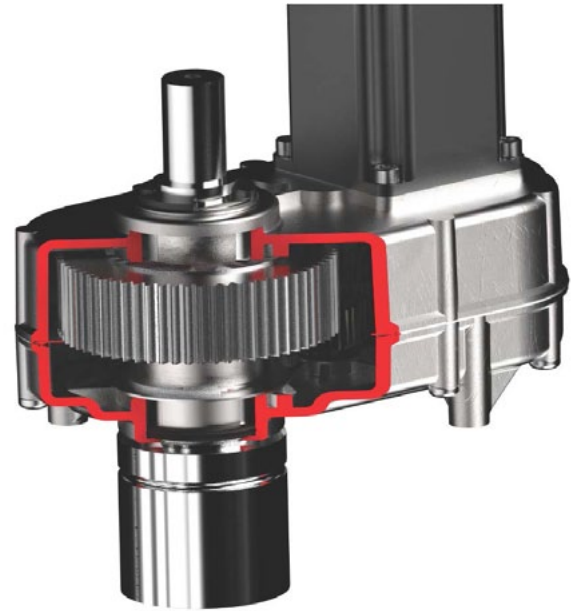


Advanced Electronic Design

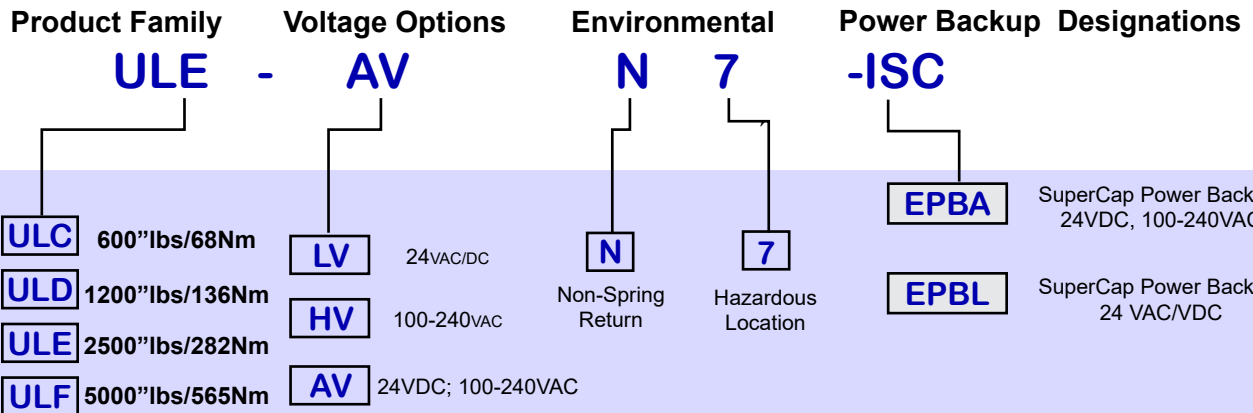
- Easy end of travel set up for CW and CCW end points
- Set motor speed and cycle time
- Set loss of power and loss of signal position
- Dry Contacts for end of travel and error condition
- Valve status, power backup status, system faults, and service advisories available from main screen

Robust Mechanical Design

- Permanently lubricated sealed motor and gear assembly
- 100% Duty Cycle and 6000 starts per hour
- Non-contact position sensing
- No mechanical switches or contacts
- NEMA 4 enclosure
- 27mm double square drive with ISO5211 F07 / F10 mounting pattern



Product Identification



Note: Not all combinations are possible. Please consult factory.

Item	Torque	Line Power	Power Back-up	Description
UMB-LVN7	400 in lbs (45Nm)	12VDC, 24VDC, 24VAC		U Series Electric Actuator, 400 in lbs/ 45Nm Torque, 1.6-6 secs 90° rotation, F05/F07 ISO 5211 mount, 17mm double square drive, weight 19lbs/8.6kg, 24VDC or 24VAC line, 3.3A max, On/off or modulating, dry contact end of travel switches, Class I Div 2 Hazardous Location rated
UMB-HVN7	400 in lbs (45Nm)	110-240 VAC		U Series Electric Actuator, 400 in lbs/ 45Nm Torque, 1.6-6 secs 90° rotation, F05/F07 ISO 5211 mount, 17mm double square drive, weight 19lbs/8.6kg, 110 to 230VAC line, 0.65A Max, On/off or modulating, dry contact end of travel switches, Class I Div 2 Hazardous Location rated
UMB-LVN7-EPBL	400 in lbs (45Nm)	12VDC, 24VDC, 24VAC	Yes	U Series Electric Actuator, 400 in lbs/ 45Nm Torque, 1.6-6 secs 90° rotation, F05/F07 ISO 5211 mount, 17mm double square drive, weight 19lbs/8.6kg, Drive to safe position on power loss, 24VDC or 24VAC line, 3.3A max, On/off or modulating, dry contact end of travel switches, Class I Div 2 Hazardous Location rated
UMB-AVN7-EPBA	400 in lbs (45Nm)	24VDC/ AC , 110-240VAC	Yes	U Series Electric Actuator, 400 in lbs/ 45Nm Torque, 1.6-6 secs 90° rotation, F05/F07 ISO 5211 mount, 17mm double square drive, weight 19lbs/8.6kg, Drive to safe position on power loss, 24VDC or 24VAC line, 3.3A max, or 110 to 230VAC line, 0.65A Max, On/off or modulating, dry contact end of travel switches, Class I Div 2 Hazardous Location rated
UMC-LVN7	600 in lbs (68Nm)	12VDC, 24VDC, 24VAC		U Series Electric Actuator, 600 in lbs/ 68Nm Torque, 3-10 secs 90° rotation, F05/F07 ISO 5211 mount, 17mm double square drive, weight 19lbs/8.6kg, 24VDC or 24VAC line, 3.3A max, On/off or modulating, dry contact end of travel switches, Class I Div 2 Hazardous Location rated
UMC-HVN7	600 in lbs (68Nm)	110-240 VAC		U Series Electric Actuator, 600 in lbs/ 68Nm Torque, 3-10 secs 90° rotation, F05/F07 ISO 5211 mount, 17mm double square drive, weight 19lbs/8.6kg, 110 to 230VAC line, 0.65A Max, On/off or modulating, dry contact end of travel switches, Class I Div 2 Hazardous Location rated
UMC-LVN7-EPBL	600 in lbs (68Nm)	12VDC, 24VDC, 24VAC	Yes	U Series Electric Actuator, 600 in lbs/ 68Nm Torque, 3-10 secs 90° rotation, F05/F07 ISO 5211 mount, 17mm double square drive, weight 19lbs/8.6kg, Drive to safe position on power loss, 24VDC or 24VAC line, 3.3A max, On/off or modulating, dry contact end of travel switches, Class I Div 2 Hazardous Location rated
UMC-AVN7-EPBA	600 in lbs (68Nm)	24VDC/ AC , 110-240VAC	Yes	U Series Electric Actuator, 600 in lbs/ 68Nm Torque, 3-10 secs 90° rotation, F05/F07 ISO 5211 mount, 17mm double square drive, weight 19lbs/8.6kg, Drive to safe position on power loss, 24VDC or 24VAC line, 3.3A max, or 110 to 230VAC line, 0.65A Max, On/off or modulating, dry contact end of travel switches, Class I Div 2 Hazardous Location rated
UMD-LVN7	1200 in lbs (136Nm)	12VDC, 24VDC, 24VAC		U Series Electric Actuator, 1200 in lbs/ 136Nm Torque, 7-20 secs 90° rotation, F05/F07 ISO 5211 mount, 17mm double square drive, weight 19lbs/8.6kg, 24VDC or 24VAC line, 3.3A max, On/off or modulating, dry contact end of travel switches, Class I Div 2 Hazardous Location rated
UMD-HVN7	1200 in lbs (136Nm)	110-240 VAC		U Series Electric Actuator, 1200 in lbs/ 136Nm Torque, 7-20 secs 90° rotation, F05/F07 ISO 5211 mount, 17mm double square drive, weight 19lbs/8.6kg, 110 to 230VAC line, 0.65A Max, On/off or modulating, dry contact end of travel switches, Class I Div 2 Hazardous Location rated

Item	Torque	Line Power	Power Back-up	Description
ULC-LVN7	600 in lbs (68Nm)	12VDC, 24VDC, 24VAC		U Series Electric Actuator, 600 in lbs/ 68Nm Torque, 3-10 secs 90° rotation, F07/F10 ISO 5211 mount, 27mm double square drive, weight 26lbs/11.8kg, 24VDC or 24VAC line, 3.3A max, On/off or modulating, dry contact end of travel switches, Class I Div 2 Hazardous Location rated
ULC-HVN7	600 in lbs (68Nm)	110-240 VAC		U Series Electric Actuator, 600 in lbs/ 68Nm Torque, 3-10 secs 90° rotation, F07/F10 ISO 5211 mount, 27mm double square drive, weight 26lbs/11.8kg, 110 to 230VAC line, 0.65A Max, On/off or modulating, dry contact end of travel switches, Class I Div 2 Hazardous Location rated
ULC-LVN7-EPBL	600 in lbs (68Nm)	12VDC, 24VDC, 24VAC	Yes	U Series Electric Actuator, 600 in lbs/ 68Nm Torque, 3-10 secs 90° rotation, F07/F10 ISO 5211 mount, 27mm double square drive, weight 26lbs/11.8kg, Drive to safe position on power loss, 24VDC or 24VAC line, 3.3A max, On/off or modulating, dry contact end of travel switches, Class I Div 2 Hazardous Location rated
ULC-AVN7-EPBA	600 in lbs (68Nm)	24VDC/ AC , 110-240VAC	Yes	U Series Electric Actuator, 600 in lbs/ 68Nm Torque, 3-10 secs 90° rotation, F07/F10 ISO 5211 mount, 27mm double square drive, weight 26lbs/11.8kg, Drive to safe position on power loss, 24VDC or 24VAC line, 3.3A max, or 110 to 230VAC line, 0.65A Max, On/off or modulating, dry contact end of travel switches, Class I Div 2 Hazardous Location rated
ULD-LVN7	1200 in lbs (136Nm)	12VDC, 24VDC, 24VAC		U Series Electric Actuator, 1200 in lbs/ 136Nm Torque, 7-20 secs 90° rotation, F07/F10 ISO 5211 mount, 27mm double square drive, weight 26lbs/11.8kg, 24VDC or 24VAC line, 3.3A max, On/off or modulating, dry contact end of travel switches, Class I Div 2 Hazardous Location rated
ULD-HVN7	1200 in lbs (136Nm)	110-240 VAC		U Series Electric Actuator, 1200 in lbs/ 136Nm Torque, 7-20 secs 90° rotation, F07/F10 ISO 5211 mount, 27mm double square drive, weight 26lbs/11.8kg, 110 to 230VAC line, 0.65A Max, On/off or modulating, dry contact end of travel switches, Class I Div 2 Hazardous Location rated
ULD-LVN7-EPBL	1200 in lbs (136Nm)	12VDC, 24VDC, 24VAC	Yes	U Series Electric Actuator, 1200 in lbs/ 136Nm Torque, 7-20 secs 90° rotation, F07/F10 ISO 5211 mount, 27mm double square drive, weight 26lbs/11.8kg, Drive to safe position on power loss, 24VDC or 24VAC line, 3.3A max, On/off or modulating, dry contact end of travel switches, Class I Div 2 Hazardous Location rated
ULD-AVN7-EPBA	1200 in lbs (136Nm)	24VDC/ AC , 110-240VAC	Yes	U Series Electric Actuator, 1200 in lbs/ 136Nm Torque, 7-20 secs 90° rotation, F07/F10 ISO 5211 mount, 27mm double square drive, weight 26lbs/11.8kg, Drive to safe position on power loss, 24VDC or 24VAC line, 3.3A max, or 110 to 230VAC line, 0.65A Max, On/off or modulating, dry contact end of travel switches, Class I Div 2 Hazardous Location rated
ULE-LVN7	1200 in lbs	12VDC, 24VDC, 24VAC		U Series Electric Actuator, 2500 in lbs/ 282Nm Torque, 12-36 secs 90° rotation, F07/F10 ISO 5211 mount, 27mm double square drive, weight 27lbs/12.3kg, 24VDC or 24VAC line, 3.3A max, On/off or modulating, dry contact end of travel switches, Class I Div 2 Hazardous Location rated

Nomenclature and Description (cont)

Item	Torque	Line Power	Power Back-up	Description
ULE-LVN7	2500 in lbs (282Nm)	12VDC, 24VDC, 24VAC		U Series Electric Actuator, 2500 in lbs/ 282Nm Torque, 12-36 secs 90° rotation, F07/F10 ISO 5211 mount, 27mm double square drive, weight 27lbs/12.3kg, 24VDC or 24VAC line, 3.3A max, On/off or modulating, dry contact end of travel switches, Class I Div 2 Hazardous Location rated
ULE-HVN7	2500 in lbs (282Nm)	110-240 VAC		U Series Electric Actuator, 2500 in lbs/ 282Nm Torque, 12-36 secs 90° rotation, F07/F10 ISO 5211 mount, 27mm double square drive, weight 27lbs/12.3kg, 110 to 230VAC line, 0.65A Max, On/off or modulating, dry contact end of travel switches, Class I Div 2 Hazardous Location rated
ULE-LVN7-EPBL	2500 in lbs (282Nm)	12VDC, 24VDC, 24VAC	Yes	U Series Electric Actuator, 2500 in lbs/ 282Nm Torque, 12-36 secs 90° rotation, F07/F10 ISO 5211 mount, 27mm double square drive, weight 27lbs/12.3kg, Drive to safe position on power loss, 24VDC or 24VAC line, 3.3A max, On/off or modulating, dry contact end of travel switches, Class I Div 2 Hazardous Location rated
ULE-AVN7-EPBA	2500 in lbs (282Nm)	24VDC/ AC , 110-240VAC	Yes	U Series Electric Actuator, 2500 in lbs/ 282Nm Torque, 12-36 secs 90° rotation, F07/F10 ISO 5211 mount, 27mm double square drive, weight 27lbs/12.3kg, Drive to safe position on power loss, 24VDC or 24VAC line, 3.3A max, or 110 to 230VAC line, 0.65A Max, On/off or modulating, dry contact end of travel switches, Class I Div 2 Hazardous Location rated
ULF-LVN7	5000 in lbs (565Nm)	12VDC, 24VDC, 24VAC		U Series Electric Actuator, 5000 in lbs/ 565Nm Torque, 27-85 secs 90° rotation, F07/F10 ISO 5211 mount, 27mm double square drive, weight 28lbs/12.7kg, 24VDC or 24VAC line, 3.3A max, On/off or modulating, dry contact end of travel switches, Class I Div 2 Hazardous Location rated
ULF-HVN7	5000 in lbs (565Nm)	110-240 VAC		U Series Electric Actuator, 5000 in lbs/ 565Nm Torque, 27-85 secs 90° rotation, F07/F10 ISO 5211 mount, 27mm double square drive, weight 28lbs/12.7kg, 110 to 230VAC line, 0.65A Max, On/off or modulating, dry contact end of travel switches, Class I Div 2 Hazardous Location rated
ULF-LVN7-EPBL	5000 in lbs (565Nm)	12VDC, 24VDC, 24VAC	Yes	U Series Electric Actuator, 5000 in lbs/ 565Nm Torque, 27-85 secs 90° rotation, F07/F10 ISO 5211 mount, 27mm double square drive, weight 28lbs/12.7kg, Drive to safe position on power loss, 24VDC or 24VAC line, 3.3A max, On/off or modulating, dry contact end of travel switches, Class I Div 2 Hazardous Location rated
ULF-AVN7-EPBA	5000 in lbs (565Nm)	24VDC/ AC , 110-240VAC	Yes	U Series Electric Actuator, 5000 in lbs/ 565Nm Torque, 27-85 secs 90° rotation, F07/F10 ISO 5211 mount, 27mm double square drive, weight 28lbs/12.7kg, Drive to safe position on power loss, 24VDC or 24VAC line, 3.3A max, or 110 to 230VAC line, 0.65A Max, On/off or modulating, dry contact end of travel switches, Class I Div 2 Hazardous Location rated